

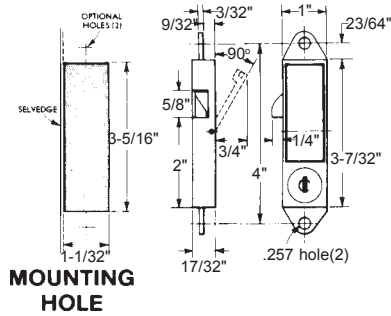
# CIRCUIT/VENDING LOCKS



## DISC TUMBLER CIRCUIT BREAKER CABINET LOCK



NL-C8070-2C



**APPLICATION**—For right handed metal doors of electrical circuit breaker cabinets.

**OPERATION**—Key removable in both locked and unlocked positions. Push plate operates spring bolt. Unlocked, push plate acts as spring latch.

**KEYING**—Supplied keyed alike only to B135A.

**PACKAGING**—Supplied with two keys, no mounting hardware.

**FINISH**—2C-Aluminum Enamel Finish

Stock #  
NL-C8070-2C

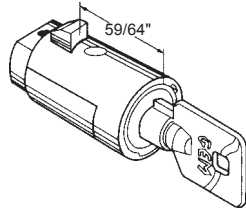
Type of  
Mounting  
R.H. Doors

Bolt Type  
Spring Pivot

Bolt  
Travel  
7/32"

Key  
Blank  
D8786

## HIGH SECURITY TUBULAR KEY LOCKS GEM 1000 SERIES LOCKS 7 PIN TUMBLER

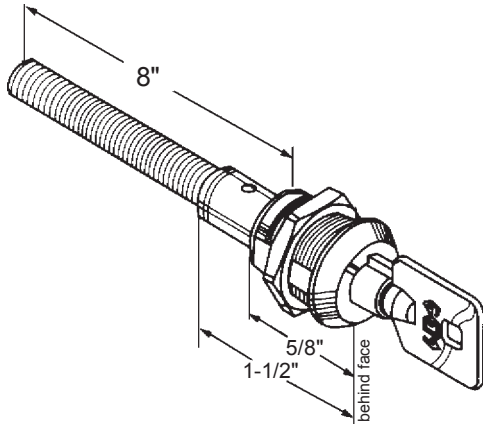


*Inner Cylinder - Nickel Finish*

Stock No.      Description  
YPT-1010      Inner cylinder for POP-OUT T handles.  
Meets NAMA Standards

Available KD or KA: **SPECIFY KEYING.**

Keyed Alike #: 27381, 27382, 27383, 27384, 27385.



Stock No.	Keying	Key Pulls
<b>TS-1058BD KD</b>	Keyed Different	12 & 6
<b>TS-1058BD KA</b>	Keyed Alike*	12 & 6
<b>TS-1058U KD</b>	Keyed Different	12, 3, 6, & 9
<b>TS-1058U KA</b>	Keyed Alike*	12, 3, 6, & 9

\*Specify Keyed Alike#: 27379, 27380.

18 Threads per inch.

**Cannot find what you need?  
It simple ...  
just give us a call...**

