

ELECTRIC STRIKES



Note: The 4800F replaces the 4800.

THE 4800F - FIRE RATED FOR FREE

3 Hour fire rated electric strike for use with surface mounted rim exit devices with 3/4" (or greater) throw. For use in new or replacement installations in wood or metal single door frames.

You expect fire rating on electric strikes for mortise locks... why not on electric strikes for Rim Panics?

4800F FEATURES -

For the less than the competitions non-fire rated electric strike, use the Fire Rated 4800F on all your installations. Feel secure in your installs and your specs and take the risk out of needing to install a fire rated electric strike later. For a lower price, why wouldn't you put in a fire rated electric strike?

The cavity is completely open -- which means the 4800F allows for a full 3/4" depth and upto a 1" throw -- competitor backplates do not allow for this versatility.

- Built-in electronics automatically allow 11 thru 28 AC & DC Voltage input -- with surge and kickback protection
- Comes with Trine's Patented 4-Pin Anchoring System.
- Contains a one piece locking mechanism with one Solenoid -- less parts mean less problems.
- Fail-safe/Fail-secure - field selectable (Like all electric strikes, it is not fire rated in Fail safe mode).
- BHMA Grade 1 Electric Strike -- 1,500,000+ Life cycles -- 3,000+ lbs. Holding Force
- No cutting or worrying about voltage means you are always prepared.

4800F STANDARDS-

- Class A, 3 Hour Single door / frame configuration
- - UL10C, Fire Tests of Door Assemblies
- - UBC 7-2, Uniform building Code
- - CAN4 S104, Standard Method for Fire Tests of Door Assemblies NFPA 252
- Issue: 1999/01/01 Standard Methods of Fire Tests of Door Assemblies
- **NOTE: WH fire listing is void when using fail safe action.**
- **BHMA Grade 1 Electric Strike -- 1,500,000+ Life cycles -- 3,000+ lbs. Holding Force**

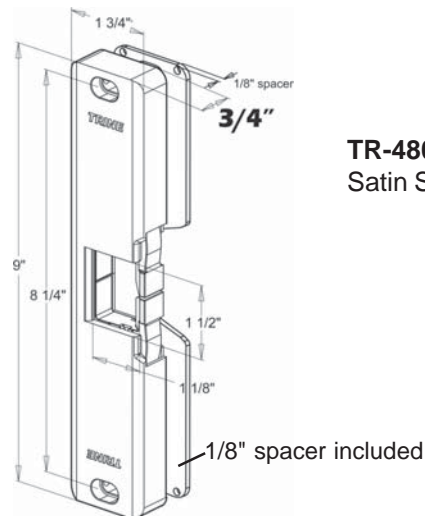
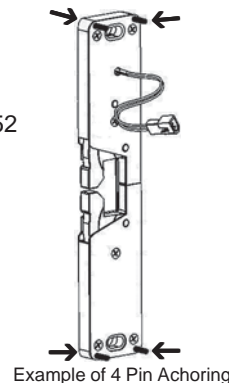
4800F ELECTRICAL CHARACTERISTICS- "Just Plug and Play"

Voltage	Pull In/Holding		Sound
	Current/Amps	Duty	
12DC	0.566/0.217	Intm./Cont.	Silent
24DC	0.253/0.099	Intm./Cont.	Silent
12AC	0.509/0.181	Intm./Cont.	Silent
16AC	0.405/0.149	Intm./Cont.	Silent
24AC	0.215/0.087	Intm./Cont.	Silent

Trine supplies an 1/8" thick spacer plate in the box for the 4800F fire rated electric strike for those installations that require mounting the strike closer to the panic bar. In addition, the spacer plates can be used as a template during installation. This is especially helpful when installing Trine's patented anchoring system

Included -

- 1 - (1) 4800F Surface Mounted Strike
- 2 - (2) 1/4-20 x 1" UH Cap socket mounting screws
- 3 - (4) Anchor system pins
- 4 - (1) Quick connect socket and wire assembly
- 5 - (2) Sealed crimp connectors
- 6 - (1) Fail Safe spring (red colored) & solenoid plunger
- 7 - (1) Fail Safe cam (NOTE: not fire rated when configured fail-safe)
- 8 - (1) 1/8" thick spacer plate/frame mounting template



TR-4800F 32D
Satin Stainless Steel

©ZIPF LOCK COMPANY

ELECTRIC STRIKES

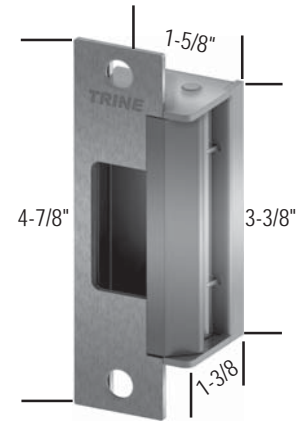


4100 Features -

- **BHMA Grade 1 Electric Strike -- heavy duty construction, 1,000,000+ Life cycles -- 3,250+ lbs. Holding Force.**
- **Four popular faceplates included** -- including the 4 most used faceplates in the box makes specifying and installing easy. Covers 90%+ of Cylindrical & Mortise Lock configurations (without deadbolt), plus faceplates can be kept & used to help accommodate for door sag.
- **1-3/8" Shallow backset** -- the 4100 low profile electric strike can be used in 2" fire rated frames with 1/2" sheetrock ingress.
- Low Current Draw -- .240 Amp at 12DC makes it very PoE Friendly 12 & 24DC :: 12 through 24 AC. All the low voltage and amperage flexibility you need.
- The included CCTS covers the gap when retrofitting the HES® 1006, Folger Adams® 712/732, and Von Duprin® 6200 Series or even Trine EN Series strikes. No more ugly trim skirts. The CCTS always matches the faceplate finish.
- Why cut for a deadbolt 100% of the time when they are only used 5% of the time.
- Patented # US20110241361
- Cutout Specification A115.1 (with Slight Jamb Modification)

Standards -

- Class A, 3 Hour fire rated single door / frame configuration.
- WH recognized for UL10C, Fire Tests of Door Assemblies.
- UBC 7-2, Uniform building Code.
- CAN4 S104, Standard Method for Fire Tests of Door Assemblies.
- NFPA 252 - Issue: 1999/01/01 Standard Methods of Fire Tests of Door Assemblies.
- NOTE: WH fire listing is void when using fail safe action.
- UL LISTED - 1034 Burglary Resistant.
- ANSI/BHMA A156.5 - 1992 - 4-7/8" x 1-1/4" Fits.



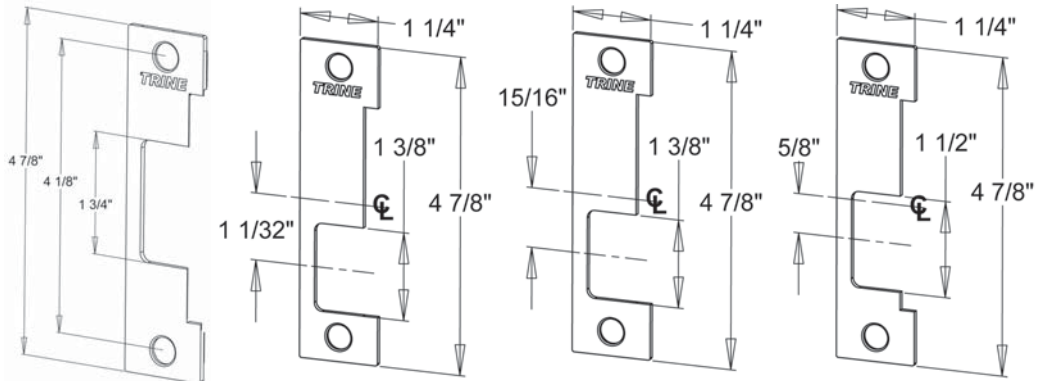
TR-4100 32D
Satin Stainless Steel

4100 Electrical Characteristic -

Volts	Current	Ohms	Duty	Sound	Wire Color
12DC	0.240 A	50	Intm./Cont.	Silent	Blue/Red
24DC	0.114 A	210	Intm./Cont.	Silent	Brown/Red
12AC	0.210 A	50	Intm.	Buzz	Blue/Red
16AC	0.280 A	50	Intm.	Buzz	Blue/Red
24AC	0.420 A	50	Intm.	Buzz	Blue/Red

When removing the connector and using the wires direct; Red Wire is Common, Blue Wire accepts 12DC & 12-16 AC, Brown Wire accepts 24DC.>

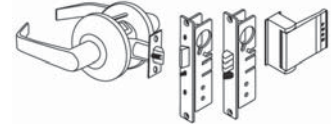
Includes the 4 most used faceplates. Covers 90%+ of Cylindrical & Mortise Lock configurations (without deadbolt)



Included -

- | | |
|--|--|
| 1 - (1) 4100 Electric Strike Mechanism | 5 - (2) Quick Connect Socket & Wire Assembly 12VDC & 24VDC Version |
| 2 - (4) Faceplates with Openings (CC, MHO, MMO, MLO) | 6 - (2) Sealed Crimp Connectors |
| 3 - (2) #12-40 x 1 inch Philips Mounting Screws | 7 - (2) Latch Spacer Shims & (2) Mounting Screws |
| 4 - (2) #12-40 x 1 inch Torx® Security Mounting Screws | 8 - (1) Frame Trim Skirt & (2) Screws |

ELECTRIC STRIKES



4200 Features -

Use with cylindrical locksets & deadlatches in aluminum, metal, and wood frames. The 4200 solves problems caused by auxiliary latch "pins" found on Adams Rite® locks.

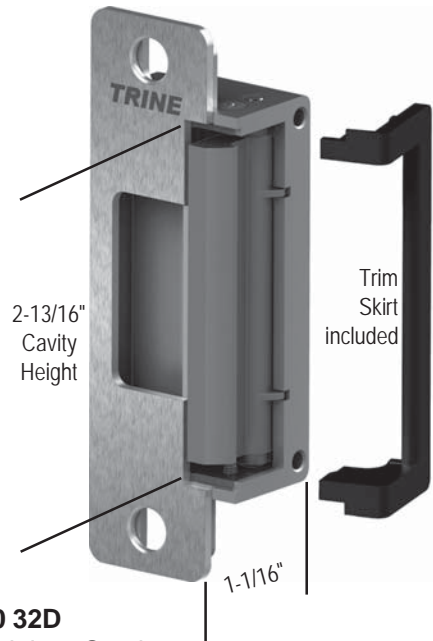
- **The 4200 has the tallest cavity in its class (2-13/16").** This added height solves door sag and other alignment problems.
- **Grade 1 Electric Strike. 1500+ lbs of holding force.**
- 1-1/16" Shallow backset solves frame depth problems, *like with glass store fronts.*
- The 4200 electric strike latch solves the auxiliary latchpin problems many other electric strikes run into.
- Competitor electric strikes do not provide room in case of misalignment or any other problems you may run across during an install. The 4200 helps ensure you will always be ready so you can reduce time at a job site.
- **4 included faceplate sizes** cover most installations with cylindrical locks and deadlatches (and the A/R 4900).
- Electric strike faceplates available in 5 powder coat colors by special order. We stock the 32D finish.
- Low Current Draw .240 Amp at 12DC makes it very PoE Friendly. 12 & 24DC :: 12 through 24 AC All the low voltage flexibility you need

THE ONE BOX SOLUTION FOR CYLINDRICAL AND DEADLATCHES

4200 Series Electrical Characteristics (Included, no external packs required) -

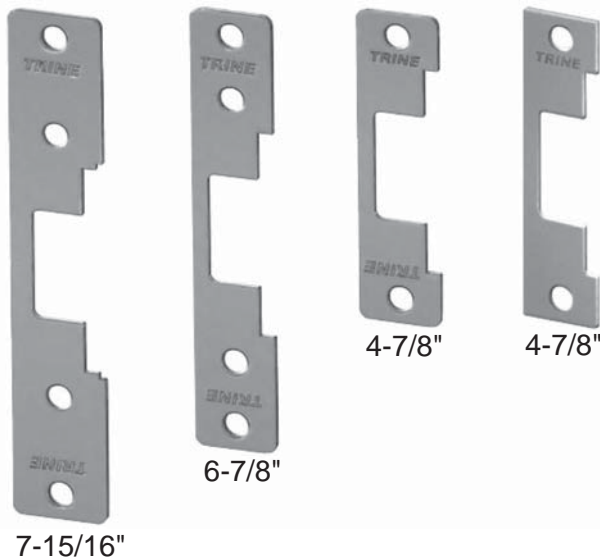
Volts	Current	Ohms	Duty	Sound	Wire Color
12DC	0.240 A	50	Intm./Cont.	Silent	Blue/Red
24DC	0.114 A	210	Intm./Cont.	Silent	Brown/Red
12AC	0.210 A	50	Intm.	Buzz	Blue/Red
16AC	0.280 A	50	Intm.	Buzz	Blue/Red
24AC	0.420 A	50	Intm.	Buzz	Blue/Red

When removing the connector and using the wires direct; Red Wire is Common, Blue Wire accepts 12DC & 12-16 AC, Brown Wire accepts 24DC.



TR-4200 32D
Satin Stainless Steel

All 4 faceplates are included with each strike



THE FACEPLATES WILL COVER MOST INSTALLATIONS IN ALUMINUM FRAMES

- Included -
- 1 - (1) 4200 Electric Strike Mechanism
 - 2 - (4) Faceplates as shown
 - 3 - (6) #12-24 x 1/2 inch Phillips Mounting Screws
 - 4 - (2) #12-24 Lock Nut
 - 5 - (2) Quick Connect Socket & Wire Assembly 12VDC & 24VDC Version
 - 6 - (2) Sealed Crimp Connectors
 - 7 - (1) Latch Spacer Shims & (2) Mounting Screws
 - 8 - (1) Frame Trim Skirt & (2) Screws
 - 9 - (2) Mounting Tabs

©ZIPF LOCK COMPANY

ELECTRIC STRIKES

LIGHT COMMERCIAL 00 SERIES



FEATURES:

- Durability — 500,000 life cycles
- Holding force — 1000 lbs
- Only **ONE** moving part in locking mechanism
- Non handed operation
- Heavy duty latch spring
- Fail secure-standard action (unlocks with power)

ELECTRICAL:

Voltage	Current/Amps	Duty
8-16VAC/4-6VDC	1.3/2.7 Amps	Intm
12VDC	.40 Amps	Intm/Cont
24VAC	1.4 Amps	Intm
24VDC	.19 Amps	Intm/Cont

APPLICATION:

For use in new or replacement installations in wood and metal jambs. For use with locksets having up to 5/8" throw, based on 1/8" door gap.

SPECIFICATIONS:

- Face plate 5-7/8" x 1-1/4"
- Mortise Backset 1-9/16"
- Cavity Depth 1/2"
- Cavity Width 9/16"
- Cavity Height 1-1/2"

FINISHES:

Brass-Powder Coated
Satin Chrome

Stock No.

TR-001

Fail Secure

Finish

Brass

Voltage

4-6VDC/8-16VAC

TR-001C

Fail Secure

Satin Chrome

4-6VDC/8-16VAC

TR-001C 24VDC

Fail Secure

Satin Chrome

24VDC



APPLICATION:

For use in new or replacement installations in wood and metal jambs. Auxiliary lever ramps for use with locksets which contain dead locking levers. For use with locksets having up to 5/8" throw, based on 1/8" door gap.

SPECIFICATIONS:

- Face plate 7-15/16" x 1-7/16"
- Auxiliary Ramp 2-7/8"
- Mortise Backset 1-9/16"
- Cavity Depth 1/2"
- Cavity Width 9/16"
- Cavity Height 1-1/2"

FINISHES:

Aluminum Powder Coated

Stock No.

TR-002

Fail Secure

Finish

Aluminum

Voltage

4-6VDC/8-16VAC



APPLICATION:

For use in replacement installations in wood jambs and iron gates. For use with bored cylindrical locksets having up to 5/8" throw, based on 1/8" door gap.

SPECIFICATIONS:

- Face plate 3-1/2" x 1-3/8"
- Mortise Backset 2-3/4"
- Cavity Depth 1/2"
- Cavity Width 9/16"
- Cavity Height 1-1/2"

FINISHES:

Brass-Powder Coated
Satin Chrome

Stock No.

TR-005

Fail Secure

Finish

Brass

Voltage

4-6VDC/8-16VAC

TR-005C

Fail Secure

Satin Chrome

4-6VDC/8-16VAC



ELECTRIC STRIKES

LIGHT COMMERCIAL 00 SERIES-(cont'd)



APPLICATION:

For surface mount installations on metal or wood jambs, for inswinging applications. For use with locksets or night latches having up to 5/8" throw, based on 1/8" door gap. When mounted on a pair of doors, strike is mounted to the inactive leaf.

SPECIFICATIONS:

- Face plate 2-1/8" x 1-3/16"
- Surface mounted
- Die cast housing
- Cavity Depth 1/2"
- Cavity Width 1/2"
- Cavity Height 1-1/2"

Stock No.
TR-006

Fail Secure **Finish**
Brass

Voltage
4-6VDC/8-16VAC



FINISHES:

Brass-Powder Coated

APPLICATION:

For use in new or replacement installations in wood jambs. For use with locksets having up to 3/4" throw, based on 1/8" door gap.

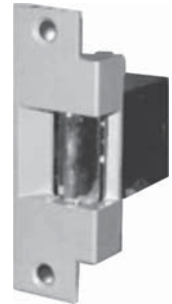
SPECIFICATIONS:

- Face plate 4-7/8" x 1-1/4"
- Mortise Backset 2-7/8"
- Cavity Depth 5/8"
- Cavity Width 3/4"
- Cavity Height 1-1/2"

Stock No.
TR-007
TR-007C

Fail Secure **Finish**
Brass
Fail Secure Satin Chrome

Voltage
4-6VDC/8-16VAC
4-6VDC/8-16VAC



FINISHES:

Brass-Powder Coated
Satin Chrome

LIGHT COMMERCIAL 01 SERIES

FEATURES:

- Durability — 300,000 life cycles
- Holding force — 1200 lbs
- Solid brass locking system
- Cast steel latch
- Heavy duty latch spring
- Solenoid Actuated

ELECTRICAL:

Voltage	Current/Amps	Duty
10-16VAC	.60-.90 Amps	Intm
6-12VDC	.50-1.0 Amps	Intm
24VAC	.42 Amps	Intm
24VDC	.20 Amps	Intm/Cont

APPLICATION:

For use in new or replacement installations in metal jambs. For use with locksets having up to 5/8" throw, based on 1/8" door gap.

SPECIFICATIONS:

- Face plate 4-7/8" x 1-1/4"
- Mortise Backset 1-5/8"
- Cavity Depth 9/16"
- Cavity Width 9/16"
- Cavity Height 1-1/2"

Stock No.
TR-012
TR-012C
TR-012C 24VDC

Fail Secure **Finish**
Brass
Fail Secure Satin Chrome
Fail Secure Satin Chrome

Voltage
6-12VDC/10-16VAC
6-12VDC/10-16VAC
24VDC



FINISHES:

Brass-Powder Coated
Satin Chrome

ELECTRIC STRIKES

LIGHT COMMERCIAL 01 SERIES



FEATURES:

- Miniature design
- Die cast case
- Solid cast latch - chrome plated
- Non handed
- Heavy duty latch spring

ELECTRICAL:

Voltage	Current/Amps	Duty
10-16VAC	1.5-2.7 Amps	Intm
12VDC	.184 Amps	Intm/Cont
24VAC	.895 Amps	Intm
24VDC	.100 Amps	Intm/Cont

APPLICATION:

For use in new or replacement installations in metal jambs. For use with locksets having up to 5/8" throw, based on 1/8" door gap.

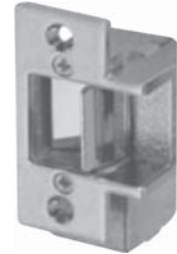
SPECIFICATIONS:

- Face plate 2-3/4" x 1-1/8"
- Mortise Backset 1-1/4"
- Cavity Depth 1/2"
- Cavity Width 5/8"
- Cavity Height 1-1/8"
- ANSI 115.3 slight frame modification

Stock No.
TR-014

Fail Secure **Finish**
Brass

Voltage
10-16VAC



FINISHES:

- Brass-Powder Coated
- Satin Chrome

PREMIUM AXION EN SERIES - GRADE 1

FEATURES:

- Durability — 1,000,000 life cycles
- Holding force — 2000 lbs **UL Tested**
- BHMA 156.31 2001, **GRADE 1**
- UL Listed 10C-fire rated class A, 3-hour, single swing door (except EN 800 & 850)
- UL Listed 1034-burglary resistant locking mechanism for **indoor** or **outdoor** use
- All stainless steel construction
- Field adjustable left or right handing (except EN430 & 435 models)

ELECTRICAL:

Voltage	Current/Amps	Duty
12VAC	.70 Amps	Intm
24VAC	.37 Amps	Intm
12VDC	.28 Amps	Intm/Cont
24VDC	.15 Amps	Intm/Cont

- Units install flush with face of the frame for a truly aesthetic look
- Fail Secure/Fail Safe field reversible on DC units (except EN 430 & 435 models)

APPLICATION:

For use in new or replacement installations in wood or metal single door frames. For use with surface mounted rim exit device with up to 1" throw. **3/4" thick face plate.**

SPECIFICATIONS:

- Face plate 9" x 1-11/16" x 3/4"
- Semi-Mortise Backset 1-1/4"
- 45° beveled face plate
- Auxiliary ramp 3-3/8"
- 1/8" horizontal adjustment on mechanism
- 1/4" horizontal adjustment on face plate mounting holes
- Cavity Depth 1-1/8"
- Cavity Width 3/4"
- Cavity Height 1-1/2"

Stock No.
TR-EN800

Fail Secure/Safe **Finish**
Satin Stainless

Voltage
24VDC

Fail Secure/Fail Safe field reversible on DC units. NOT UL Listed when Fail Safe .



ELECTRIC STRIKES

PREMIUM AXION EN SERIES - GRADE 1



FEATURES:

- Durability — 1,000,000 life cycles
- Holding force — 2000 lbs **UL Tested**
- BHMA 156.31 2001, **GRADE 1**
- UL Listed 10C-fire rated class A, 3-hour, single swing door (except EN 800 & 850)
- UL Listed 1034-burglary resistant locking mechanism for **indoor** or **outdoor** use
- All stainless steel construction
- Field adjustable left or right handing (except EN430 & 435 models)

- Units install flush with face of the frame for a truly asthetic look
- Fail Secure/Fail Safe field reversible on DC units (except EN 430 & 435 models)

ELECTRICAL:

Voltage	Current/Amps	Duty
12VAC	.70 Amps	Intm
24VAC	.37 Amps	Intm
12VDC	.28 Amps	Intm/Cont
24VDC	.15 Amps	Intm/Cont

APPLICATION:

For use in new or replacement installations in wood or metal jambs. For use with mortise exit devices, mortise locks without dead bolts, and cylindrical locksets having up to 7/8" throw, base on 1/8" door gap.

EN950 replaces Folger Adams® 310-2 cutout

SPECIFICATIONS:

- Face plate 9" x 1-3/8"
- Mortise Backset 1-11/16"
- Auxiliary ramp 3-3/4"
- Cavity Depth 7/8"
- Cavity Width 3/4"(latch shim kit provided)
- Cavity Height 1-1/2"
- 9" stiffener plate provided for laminated reinforcement

Stock No.

TR-EN950

Fail Secure/Safe

Finish

Satin Stainless

Voltage

24VDC

Fail Secure/Fail Safe field reversible on DC units. NOT UL Listed when Fail Safe .



FINISHES:

32D Satin Stainless Steel

APPLICATION:

For use in new or replacement installations in wood or metal jambs. For use with mortise rim exit devices, mortise locks without dead bolts, and cylindrical locksets having up to 7/8" throw, base on 1/8" door gap.

EN960 replaces Folger Adams® 310-2 3/4 cutout

SPECIFICATIONS:

- Face plate 9" x 1-3/8"
- Mortise Backset 2"
- Auxiliary ramp 3-3/4"
- Cavity Depth 7/8"
- Cavity Width 3/4"(latch shim kit provided)
- Cavity Height 1-1/2"
- 9" stiffener plate provided for laminated reinforcement

Stock No.

TR-EN960

Fail Secure/Safe

Finish

Satin Stainless

Voltage

12 VDC or 24VDC

Specify voltage

Fail Secure/Fail Safe field reversible on DC units. NOT UL Listed when Fail Safe .



FINISHES:

32D Satin Stainless Steel

ELECTRIC STRIKES

PREMIUM AXION 3000 SERIES - GRADE 1



FEATURES:

- Durability — 500,000 life cycles
- Holding force — 1500+ lbs
- BHMA 156.31 2001, GRADE 1 (except 334, 3234)
- BHMA Grade 2 for 334 and 3234
- Dynamic force 70ft/lb
- Solid stainless steel latch and locking mechanism
- Accepts bolt with up to 5/8" throw
- Non handed (except 458, 478, 3458)
- Latch spacer increases cavity depth 1/16"

ELECTRICAL:

Voltage	Current/Amps	Duty
12VDC	.48 Amps	Intm
24VDC	.24 Amps	Intm

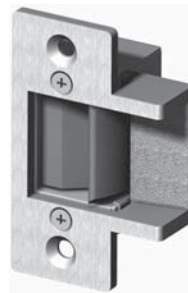
Above specs are for non "LC" strikes

The 3000 Series is available in the convenient modular system, which allows the flexibility of stock the mechanism and faceplates separately.



Mechanism Body Only-Fail Secure—

Stock No.	Voltage	Function
TR-3012	12DC	Intermittent
TR-3024	24DC	Intermittent



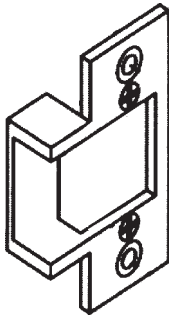
- Mortise Backset 1"
- Cavity Depth 1/2"
- Cavity Width 5/8"
- Cavity Height 1-1/8"

Shown with TR-234 faceplate. Order faceplates separately.

FACEPLATES (SOLD SEPARATELY)

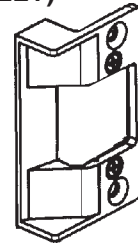
FINISHES:

- 26D Satin Chrome
- 32D Satin Stainless Steel



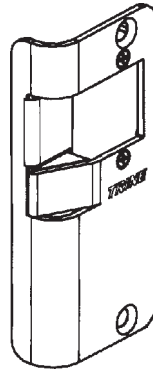
TR-234 US-26D

For use in new or replacement installation in metal frames. Use with cylindrical locksets having up to 5/8" throw, based on 1/8" door gap. ANSI 2-3/4 standard. Face plate 2-3/4" x 1-1/8"



TR-258 US-26D

For use in new or replacement installation in aluminum frames. Use with 4510, 4710 & 4750 Adams Rite® deadlatches. Replaces 4502 strike plate with slight frame modification. 60% less cutting of frame when compared to typical 4-7/8" electric strike installations. Face plate 2-5/8" x 1-9/16"



TR-458 US-32D Specify Hand RH or LH

For use in new or replacement installation in aluminum frames. Replaces Adams Rite® 4730/4501 strike plate with slight frame modification. 70% less cutting of the frame. Fills the frame prep of the Adams Rite® MS locks without the need to relocate tabs for 6-5/8 or 6-7/8 electric strikes. Face plate 4-5/8" x 1-9/16"



TR-334 US-26D

For use in new or replacement installations in wood frames. For use with cylindrical locksets having up to 5/8" throw, based on 1/8" door gap. Face plate 3-3/4" x 1-1/4"

ELECTRIC STRIKES

ADJUSTABLE 2000 SERIES



APPLICATION:

For use in new or replacement installations in hollow metal or aluminum frames. Use with locksets having up to 5/8" throw, based on 1/8" door gap. **Allows adjustment for wider latch bolts & poorly aligned doors & locksets.**

SPECIFICATIONS:

- Durability — 500,000 cycles
- Holding force — 900 lbs
- 1/8" horizontal latch adjustment
- Releases under door pre-load
- Steel Face plate 4-7/8" x 1-1/4"
- Auxiliary Ramp 3-3/8"
- Mortise Backset 1-9/16"
- Cavity Depth 9/16"
- Cavity Width 5/8"
- Cavity Height 1-11/16"

FINISHES:

- 4** Satin Brass
- C** Satin Chrome

Stock No.

TR-2012 4

TR-2012C 12VDC

TR-2012C 24VDC

Fail Secure

Fail Secure

Fail Secure

Finish

Satin Brass

Satin Chrome

Satin Chrome

Voltage

16-24AC/DC

12VDC

24VDC

*Adjust the strike...
not the door*



PREMIUM AXION 4800 SERIES- GRADE 1

APPLICATION:

For use in new or replacement installations in wood or metal single door frames. Use with surface mounted rim exit device with up to 1" throw.

SPECIFICATIONS:

- Durability — 1,500,000 cycles
- Holding force — 3000 lbs
- BHMA 156.31 2001, Grade 1.
- No frame cutting.
- Surface mounting, only 3 holes to drill.
- Anchoring system. Optional 4 pin anchoring system provides additional support.
- One piece locking mechanism.**
- Stainless steel construction.
- Fail Secure/Fail Safe field selectable.**
- Supplied with a 1/8" steel spacer.
- Built in LC unit. Built-in electronics **automatically** allows 11 thru 28 AC and DC voltage input - with surge and kickback protection.
- Simply connect 2 wires and your set.
- Size: 9" x 1-3/4" x 3/4".

FINISHES:

- 32D** Satin Stainless Steel

ELECTRICAL:

Voltage	Pull In/Hold Amps	Duty
12VAC	.509/.181	Intm/Cont
16VAC	.402/.149	Intm/Cont
24VAC	.215/.087	Intm/Cont
12VDC	.566/.217	Intm/Cont
		Intm/Cont

TR-4800 REPLACED BY TR-4800F - SEE PAGE 327.



TR-4800 32D

What the competition does not have:

- **NO WIRE CUTTING.** 11 thru 28AC and DC automatically selected by built-in electronics with surge and kickback protection.
- Locking collar = **ONE** locking mechanism.
- **One** Solenoid.
- **1,500,000+** life cycles.
- **3000+** lbs holding force.
- Up to **6** holding points in mounting system for extra support.
- 1/8" steel spacer plate **included.**

ELECTRIC STRIKES

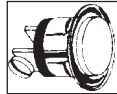
ELECTRIC STRIKE ACCESSORIES



TRANSFORMER

TR-5205

PLUG-IN TYPE TRI
VOLT(AC) - 120 volt pri-
mary AC. Tri-Volt: 8-16-
24 V. 10-10-20 VA.



PUSH BUTTONS

Stock No.

Finish

TR-45A

Silver Rim

TR-45G

Gold Rim

UNLIGHTED-5/8" diameter.



PUSH BUTTONS

Stock No.

Finish

TR-71A

Silver Rim

UNLIGHTED—

2-3/4" L x 1"W x 3/4"H.

ACCESSORIES FOR PREMIUM AXION EN SERIES—

***TR-BZ-24** Audible buzzer for 24DC operation

TR-EN-CA-12AC Interchangeable coil assembly

TR-EN-CA-24AC Interchangeable coil assembly

*Not for use on "LC" models



**Unlike some other suppliers...
we will help you to avoid this.**