

# SAFES



## KEYABLE WALL SAFE



### WS-100K

Inside Dimensions: 3.75" x 8.5" x 14"  
 Door Opening: 11.5" x 5.5"  
 Face: 10.75" x 16.25"  
 Wall Cut Out: 8.75" x 14.25"



*Let us know  
 if you need a  
 mortise cylinder.*

HPC's Wall Safe is constructed of heavy-gauge steel. All locking and hinge points are dual reinforced steel. The safe features a true flush face for mounting with the hinge and lock below the surface and a unique texture powder coat painting process in an attractive neutral sand color. The Keyable Wall Safe makes it possible to key a safe to existing master keying systems, by adding your own mortise cylinder. The ONLY safe that takes a standard mortise cylinder.

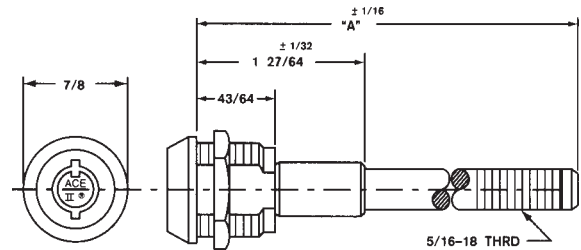
## SCREW LOCKS

(PL-46)

### ACE II® 7 PIN TUMBLER SCREW TYPE LOCK

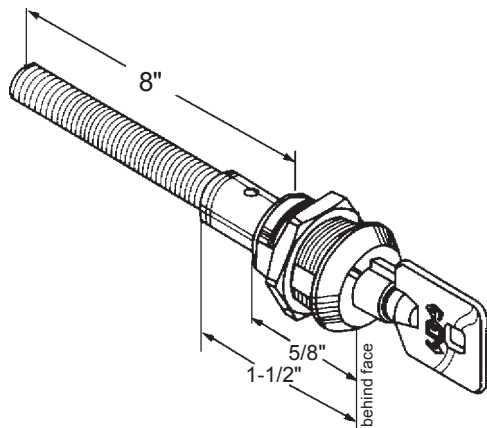


- Patented ACE II® lock assembly in 3/4" diameter.
- Barrel with two flats — 5/8" across.
- 360° key rotation with keypull every 180° (12 and 6 o'clock).
- Two keys furnished per lock.
- Includes body nut.



Stock No.	"A"	Keying
<b>CSA4107 KV</b>	7-1/32"	Keyed Different* (KV)
<b>CSA4107 KA</b>	7-1/32"	Keyed Alike (KA) to 7341

\*KV indicates the majority of the quantity of locks will be keyed different. A lesser quantity will potentially be keyed alike to one or more key numbers. We can not guarantee that we can ship keyed DIFFERENT locks.



Stock No.	Keying	Key Pulls
<b>TS-1058BD KD</b>	Keyed Different	12 & 6
<b>TS-1058BD KA</b>	Keyed Alike*	12 & 6
<b>TS-1058U KD</b>	Keyed Different	12, 3, 6, & 9
<b>TS-1058U KA</b>	Keyed Alike*	12, 3, 6, & 9

\*Specify Keyed Alike#: 27379, 27380.

18 Threads per inch.

©ZIPF LOCK COMPANY

**494** v1 SUPER SPECIAL PRICING AVAILABLE ON ITEMS MARKED WITH ■ - SUPPLIES LIMITED - PLEASE INQUIRE.  
 (PL-)