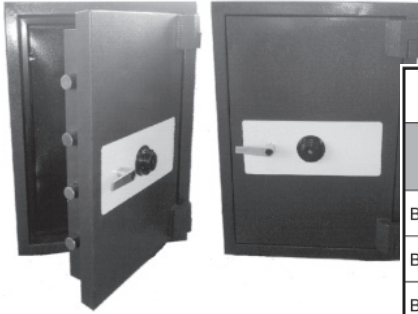


SAFES

WE HAVE SAFES FOR HOME OR OFFICE



| Item # | Outer Dimension (inch) | | | Inner Dimension (inch) | | | Locking Bolts | | | Shelf | Steel Thickness (mm) | | | Weight in #'s |
|----------|------------------------|------|------|------------------------|------|------|---------------|------|----------|-------|----------------------|------|-------|---------------|
| | H | W | D | H | W | D | Active | Dead | Dia (mm) | | body | door | inner | |
| BF1413-C | 19.5 | 18 | 19.9 | 14 | 12.5 | 15.2 | 2 | 2 | 38 | 1 | 2 | 2 | 1 | 374 |
| BF1913-C | 24.5 | 18 | 19.9 | 19 | 12.5 | 15.2 | 2 | 2 | 38 | 2 | 2 | 2 | 1 | 440 |
| BF2513-C | 30.5 | 18 | 19.9 | 25 | 12.5 | 15.2 | 3 | 3 | 38 | 3 | 2 | 2 | 1 | 528 |
| BF2520-C | 30.5 | 25.5 | 28.9 | 25 | 20 | 24.2 | 3 | 3 | 38 | 3 | 2 | 2 | 1 | 902 |
| BF3020-C | 35.5 | 25.5 | 28.9 | 30 | 20 | 24.2 | 4 | 3 | 38 | 3 | 2 | 2 | 1 | 990 |
| BF4520-C | 50.5 | 25.5 | 28.9 | 45 | 20 | 24.2 | 4 | 3 | 38 | 4 | 2 | 2 | 1 | 1342 |

Burglary and Fire Safes

- Factory tested 2 hour 1700°F (927C) fire protection composite safes.
- Expandable door seal around the door opening for fire protection.
- Massive 1-1/2" (38mm) active chromed locking bolts and dead bolts.
- Heavy duty hinges.
- High-security UL listed Group II combination lock.
- Hardened anti-drill plate.
- Tempered glass relocker.
- L-shaped die cast handle.
- Adjustable shelves.



Depository DP1913



Depository DP3020-C



Undercounter

| Item # | Outer Dimensions (inch) | | | Weight in #'s | Steel Thickness (inch) | | Locking Bolts | | |
|--|-------------------------|------|----|---------------|------------------------|------|---------------|----|------|
| | H | W | D | | Body | Door | Opening | Up | Down |
| *FRONT LOADING DEPOSITORY SAFES | | | | | | | | | |
| DP1913-C | 19 | 13.4 | 15 | 125.5 | 0.25 | 0.50 | 3 | 1 | 1 |
| DP2813-C | 27.5 | 13.4 | 15 | 155 | 0.25 | 0.50 | 3 | 0 | 0 |
| DP3020-C | 30 | 20 | 20 | 286 | 0.25 | 0.50 | 3 | 0 | 0 |
| *UNDERCOUNTER SAFES WITH DEPOSIT SLOT | | | | | | | | | |
| UNDER-COUNTER | 8.5 | 6 | 12 | 32 | 0.25 | 0.50 | 0 | 0 | 0 |

These safes are drop shipped to your location. Please call for prices and a FIRM price on shipping charges.

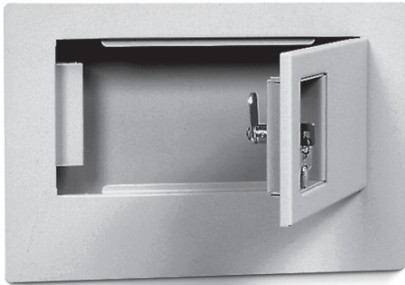


FACTORY TESTED 1 HOUR 1700°F (927C) FIRE PROTECTION COMPOSITE SAFES

| Item # | Outer Dimension (inch) | | | Inner Dimension (inch) | | | Lock | Wt in #'s |
|----------|------------------------|------|-------|------------------------|------|-------|--------------------------------|-----------|
| | H | W | D | H | W | D | | |
| HS1417-C | 14.4 | 17.2 | 15.75 | 9.9 | 12.7 | 10.25 | Mechanical combo & knob handle | 92.5 |
| HS1417-E | 14.4 | 17.2 | 15.75 | 9.9 | 12.7 | 10.25 | Electronic Lock & Key | 92.5 |
| HS1714-C | 17.2 | 14.4 | 15.75 | 12.7 | 9.9 | 10.25 | Mechanical combo & knob handle | 92.5 |
| HS1714-E | 17.2 | 14.4 | 15.75 | 12.7 | 9.9 | 10.25 | Electronic Lock & Key | 92.5 |

©ZIPF LOCK COMPANY

SAFES



KEYABLE WALL SAFE



WS-100K

Inside Dimensions: 3.75" x 8.5" x 14"
 Door Opening: 11.5" x 5.5"
 Face: 10.75" x 16.25"
 Wall Cut Out: 8.75" x 14.25"



Let us know
 if you need a
 mortise cylinder.

HPC's Wall Safe is constructed of heavy-gauge steel. All locking and hinge points are dual reinforced steel. The safe features a true flush face for mounting with the hinge and lock below the surface and a unique texture powder coat painting process in an attractive neutral sand color. The Keyable Wall Safe makes it possible to key a safe to existing master keying systems, by adding your own mortise cylinder. The ONLY safe that takes a standard mortise cylinder.

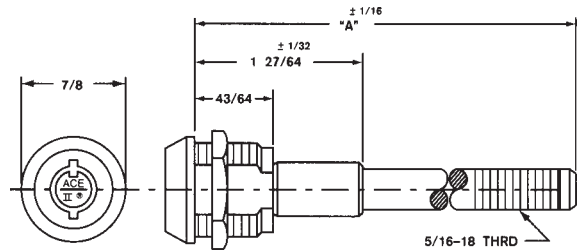
SCREW LOCKS

(PL-46)

ACE II® 7 PIN TUMBLER SCREW TYPE LOCK

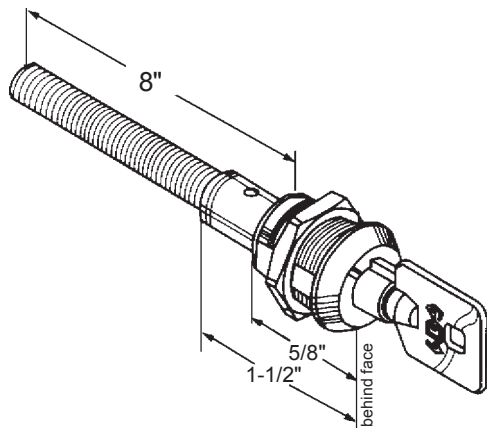


- Patented ACE II® lock assembly in 3/4" diameter.
- Barrel with two flats — 5/8" across.
- 360° key rotation with keypull every 180° (12 and 6 o'clock).
- Two keys furnished per lock.
- Includes body nut.



| Stock No. | "A" | Keying |
|-------------------|---------|--------------------------|
| CSA4107 KV | 7-1/32" | Keyed Different* (KV) |
| CSA4107 KA | 7-1/32" | Keyed Alike (KA) to 7341 |

*KV indicates the majority of the quantity of locks will be keyed different. A lesser quantity will potentially be keyed alike to one or more key numbers. We can not guarantee that we can ship keyed DIFFERENT locks.



| Stock No. | Keying | Key Pulls |
|---------------------|-----------------|---------------|
| TS-1058BD KD | Keyed Different | 12 & 6 |
| TS-1058BD KA | Keyed Alike* | 12 & 6 |
| TS-1058U KD | Keyed Different | 12, 3, 6, & 9 |
| TS-1058U KA | Keyed Alike* | 12, 3, 6, & 9 |

*Specify Keyed Alike#: 27379, 27380.

18 Threads per inch.

©ZIPF LOCK COMPANY

494 v1 SUPER SPECIAL PRICING AVAILABLE ON ITEMS MARKED WITH ■ - SUPPLIES LIMITED - PLEASE INQUIRE.
 (PL-)