

# PADLOCKS

## ABUS

Available in 2 sizes

### ■ REKEYABLE BRASS PADLOCKS - 83/45 SERIES—83/50 SERIES

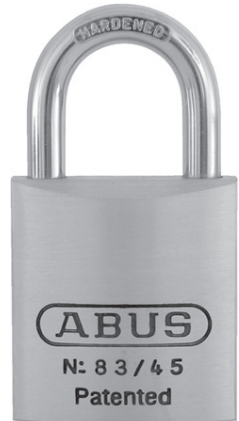
**Unmatched versatility greatly increases the appeal of this padlock.**

The 83 Series gives you the convenience of keying into most of the popular locking systems on the market today.

Stock No.	Lock Size	Shackle Diameter	Vertical Clearance	Horiz. Clearance
AB-83/45-	1-3/4"	5/16"	1"	15/16"
AB-83/50-*	2"	3/8"	1"	15/16"

Kwy No.	Description
-100	Interchanges with Yale No. 8
-200	Interchanges with Kwikset
-300	Interchanges with Schlage C
-323	Interchanges with Schlage Everest C123
-400	Interchanges with Corbin 60, 59 A1-A2-B1-B2
-410	Interchanges with Corb/Russ L4
-700	Interchanges with Sargent LA-LB-LC
-800	Interchanges with Weiser-Falcon
-900	Interchanges with Arrow
-1000	Interchanges with Russwin D1/D4
-3000	Interchanges with Schlage C thru L

Z Bar in place for key retaining, lift out for non-key retaining.



**To Order, Specify:** Stock No. Kwy No.  
AB-83-45 -300

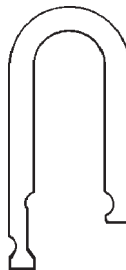
\*AB-83/50 only 100, 200, 300 keyways stocked.

### From ABUS to Z-bar... "The Convertible" solid brass rekeyable pin tumbler padlock.

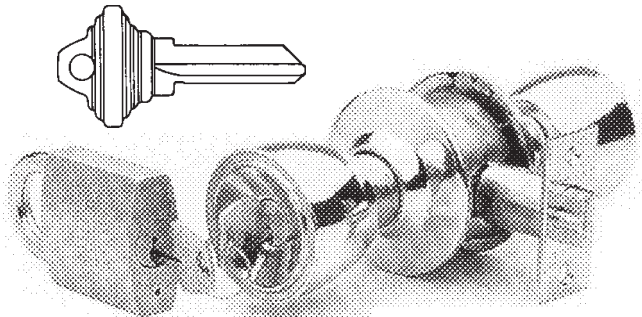
In seconds the 83 Series converts to either a key retaining or non-key retaining padlock. (All it takes is a Phillips head screwdriver.) With the Z-bar in place, the lock is key retaining, lift out the Z-bar and the lock is non-key-retaining. Without question, the most versatile rekeyable pin tumbler padlock you've ever seen.

### ■ Miscellaneous Shackles for AB-83-45

Stock No.	Description
AB-8001	1" Hardened Steel Shackle
AB-8001SS	1" Stainless Steel Shackle
AB-8002	2" Hardened Steel Shackle
AB-8003	3" Hardened Steel Shackle
AB-8004	4" Hardened Steel Shackle
AB-8005	1" Brass Shackle
AB-8006	2" Brass Shackle
AB-8007	3" Brass Shackle



The 83 Series gives you the convenience of keying into most of the popular locking systems on the market today.



The 83 Series Rekeyable Convertible Padlock is compatible with door locksets. One key convenience opens both door lock and padlock. Provides the ultimate security system for home, office, professional, commercial and industrial applications.

AB-200/75



### AB-200 Series Regular Security Safety Hasps

Stock No.	Total Length	Width	Screws
AB-200/75C	3"	1-3/16"	Yes
AB-200/95C	3-3/4"	1-9/16"	Yes
AB-200/135C	5-1/2"	1-7/8"	Yes

**REMEMBER: If you don't see what you need, please contact us with your requirements.**

©ZIPF LOCK COMPANY

458 v1 SUPER SPECIAL PRICING AVAILABLE ON ITEMS MARKED WITH ■ - SUPPLIES LIMITED - PLEASE INQUIRE.  
(PL-44)

# PADLOCKS

## AMERICAN

### Steel Hasps

The Steel-On-Steel Complement to Better Security



AJ-825



AJ-535



AJ-850



AJ-875



AJ-885

All Hardened Super-Security

Stock No.	Description	Length	Width
AJ-825	Straight bar, 7/16"	7-1/4"	1-5/8"
AJ-850	90° Angle bar, 7/16"	4-1/4"	1-5/8"
AJ-535	Off-center hole	5"	2"

Multi-Purpose Top Security Flex-O-Hasp  
Heavy Wrought Steel

Stock No.	Description	Length	Width
AJ-875	Single Hinge	6-1/4"	1-3/4"
AJ-885	Double Hinge	7-3/4"	1-3/4"

### Service Kits

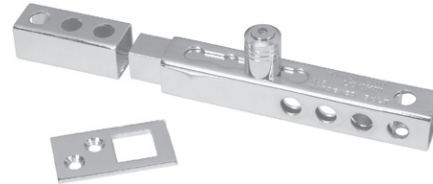
#### AJ-SK8

For servicing American Rekeyable Pin Tumbler locks.

#### AJ-TCR-3

For servicing American new Tubular Cam locks and padlocks.

### Locking Bolt



No.

#### AJ-895

Description

3/4" solid hardened steel throw, fully adjustable from 3/4" to 2-3/8". Chrome plated.

Each Locking Bolt comes with instructions, mounting screws and hex wrench for installation.

#### AJ-801

This patent-pending steel hasp can be mounted directly to American A2500, A2010, A2001 hidden shackle padlocks found on page 459.

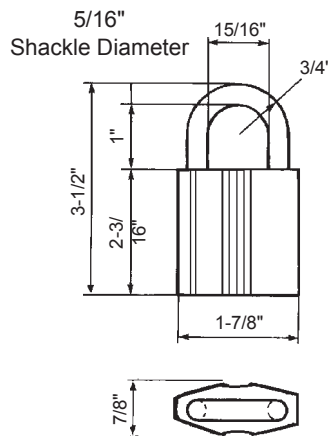


### TWIN/6000 SERIES TWIN EXCLUSIVE SERIES PADLOCKS

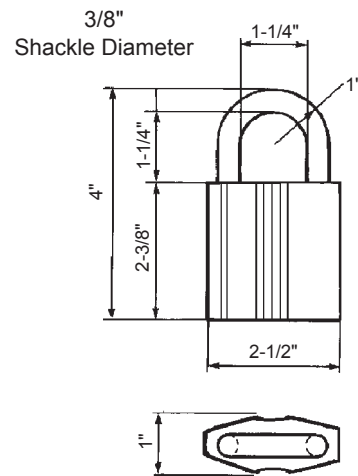
- Can be incorporated into any ASSA key system.
- All sub-assembled, no sidebar(SNS)
- For more information on ASSA, see previous page.
- Available in more restricted keyways, CALL FOR DETAILS.

#### KEY RETAINING PADLOCK

Rust-resistant case-hardened steel shackle. The locking mechanism has two case-hardened steel balls. No external rivets or screws. With weep holes for positive water drainage and protection from ice buildup.



Twin 6000 Item No.  
**65191B** (No. 2)  
**65191LB** 2-1/16" Extended Shackle



Twin 6000 Item No.  
**65391B** (No. 3)

SUPER SPECIAL PRICING AVAILABLE ON ITEMS MARKED WITH ■ - SUPPLIES LIMITED - PLEASE INQUIRE.

**465**v2  
(PL-44)

# PADLOCKS

## HASPS

### GENERAL USE HASPS



Hard wrought steel bodies for strength. Hardened steel staples resist cutting and sawing. Hardened steel locking eyes for strong cut resistance. Tamper proof hinges help resist prying.

No.	Hasp Length	Up to Shackle Dia.
<b>702D</b>	2-1/2"	9/32"
<b>703D</b>	3-1/2"	11/32"
<b>704D</b>	4-1/2"	1/2"

### HEAVY-DUTY GENERAL HASP

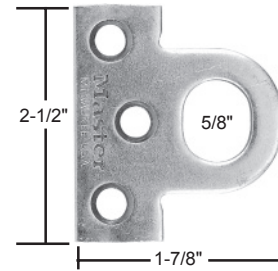


Hardened steel body with reinforced plate for strength. Hardened steel staples resist cutting and sawing. Hardened steel locking eyes for strong cut resistance. Tamper proof hinges help resist prying.

No.	Hasp Length	Up to Shackle Dia.
<b>706D</b>	6"	9/16"



### PADLOCK EYES



Steel padlock eyes with large diameter shackle hole (accepts up to 1/2" diameter shackle) Mount virtually anywhere. Ideal for gates and shed doors.

**60** Flat orientation Padlock eyes

## HIGH SECURITY HASPS - RETAIL CARDED



**721DPF**  
Single Hinge  
8" length  
Shackle Dia. up to 7/16"



**720DPF**  
Single Hinge  
6-1/4" length  
Shackle Dia. up to 7/16"



**722DPF**  
Double Hinge  
7-3/4" length  
Shackle Dia. up to 7/16"

### High Security - Special Application

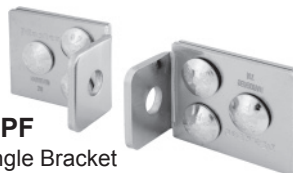
Single and double hinged designs are ideal to fit most corners and angles to secure hard-to-lock property. Recommended for use with Master Lock medium and high security padlocks.

- Heavy gauge hardened steel protects against cutting and sawing.
- Hardened Boron Alloy staple resist cutting and sawing.
- Rolled edges protect against prying and conceal mounting screws.
- Hinge pins are hidden and are virtually impossible to remove.

## HEAVY DUTY HASPS - RETAIL CARDED



**730DPF**  
Straight  
7-1/4" length  
Shackle Dia. up to 7/16"



**731DPF**  
90° Angle Bracket  
5-3/16" length  
Shackle Dia. up to 7/16"



**732DPF**  
90° Angle Bar  
4-3/4" length  
Shackle Dia. up to 7/16"



**770**  
7-1/4" length x 4-1/2" width  
For use with 6270 & 6271 padlocks.

©ZIPF LOCK COMPANY

**472** v1  
(PL-44)

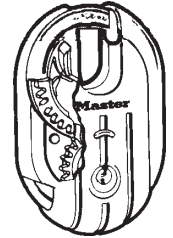
SUPER SPECIAL PRICING AVAILABLE ON ITEMS MARKED WITH ■ - SUPPLIES LIMITED - PLEASE INQUIRE.

# PADLOCKS

## TITANIUM SERIES™ SHROUDED PADLOCKS



Titanium Series™ reinforced for High-Tech strength. No rust lifetime guarantee. "Bolt cutter tough" and "crowbar resistant" hardened steel shrouded shackle offers extreme cut and pry resistance. Weather tough™ patented sliding keyway cover keeps dirt and grime from jamming the locking mechanism. Scratch proof and durable ABS plastic bumper. Key retaining feature ensures padlock is not left unlocked. **185**: Shackle diameter: 9/32", Horizontal shackle clearance: 5/8", Vertical shackle clearance: 5/8". **187**: Shackle diameter: 5/16", Horizontal shackle clearance: 3/4", Vertical shackle clearance: 15-16".



**1-15/16" wide body**

**185D** Keyed Different

**185D KA** Keyed Alike: P399

**2-5/16" wide body**

**187D** Keyed Different

**187D KA** Keyed Alike: 3475

## SPECIALTY PADLOCKS

### PIN TUMBLER HASPLOCK

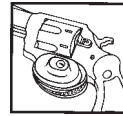


The first hasplock which provides the maximum protection of precision 4 pin tumbler security! Ideal for garage doors, tool and equipment sheds, cabins, washrooms, boat houses, trucks, warehouses, etc. Rugged 1-3/4" wide laminated steel padlock permanently attached to heavy-duty slide bolt and 4-1/2" wrought steel hasp... can't be misplaced, lost or stolen. Easy to install — works on doors opening right or left. Unique pinless hinge. Extra strong rounded staple of hardened steel. Tapered design, with rolled edges to conceal screws. Cadmium rustproofing. Specially inked serial number, erasable for added security. Complete with 7 cadmium plated screws. 2 brass keys.

**475 KA** Keyed alike - 2905

D-Individually packaged for use on pegboards or in counter displays. Six in a shelf pack.

### GUN LOCK



The world standard in trigger lock design. Steel and zinc body for maximum durability. 4-pin tumbler cylinder helps prevent picking. Durable metal construction. Protective rubber pads shield gun from scratches. Fits most handguns, rifles and shotguns.

**Keyed Alike\***

**90D KA**

**\*KEYED ALIKE NUMBERS STOCKED:**  
**90D KA: P104.**

### GUN LOCK

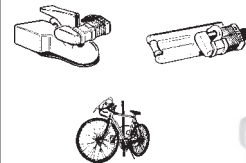


Easy to install and set. Features positive locking with adjustable ratchet mechanism. Offers added convenience of keyless resettable combination. Special cushion pads protect gun's finish from marring or scratching. fits many handguns, rifles and shotguns.

**Combination Gun Lock**

**94DSPT**

### ARMOR LOCK



Armored hardened steel shackle defies cutting. 1-3/4" laminated steel body for superior strength. 4-pin tumbler cylinder helps prevent picking. Shackle guard protects against bolt cutters and hacksaws. Shackle fits openings 1/2" diameter or larger; shackle guard removable to accommodate openings 9/32" diameter. Clearances: vertical 15/16", horizontal 7/16". Ideal for securing trailers, cables and chains. 2 keys.

**Keyed Alike\***

**37 KA** 15/16" vertical clearance.

**\*KEYED ALIKE NUMBERS STOCKED:**  
**37 KA: 3383.**

©ZIPF LOCK COMPANY

**486** v1 SUPER SPECIAL PRICING AVAILABLE ON ITEMS MARKED WITH ■ - SUPPLIES LIMITED - PLEASE INQUIRE.  
(PL-44)