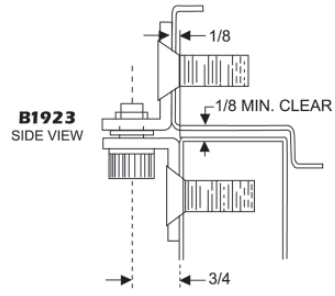
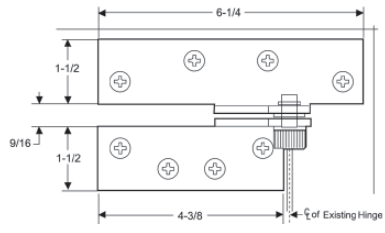
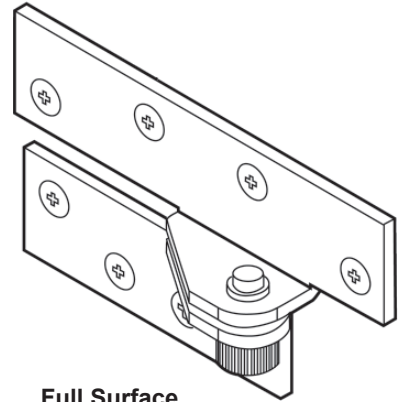


HINGES



This full-surface reinforcing pivot add years of life to openings where the hinges or hinge reinforcements have failed. Reinforcing pivots take the load off the top hinge and transfer it to screws that are in shear so they will not pull out. The economical way to solve door sag problems.

- Type:** Full surface reinforcing pivot for flush door.
- Material:** 7 gauge (0.188") carbon steel.
- Finish:** Zinc plated (US2G).
- Cycle Testing:** 1,500,000 repetitions.
- Mounting Hardware:** Comes complete with all necessary fasteners.
- Capacity:** Supports weights up to 300 lbs.
- Hole Pattern:** Symmetrically located. Specify hand when ordering.
- Hinge Size:** 3/4" offset to match the pivot point of a 4-1/2" wide butt hinge.



Full Surface MR-B1923 LH or RH
Specify Handing

Matches 4-1/2" hinge barrel centerline



**Cannot find what you need?
Let us know what you need
and we will hunt it down for you.**