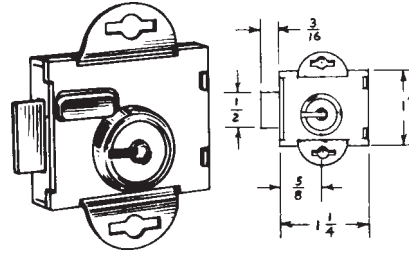
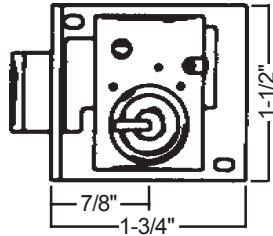


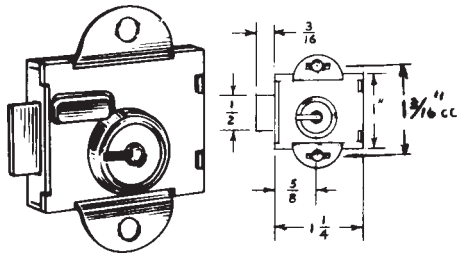
# MAIL BOX LOCKS



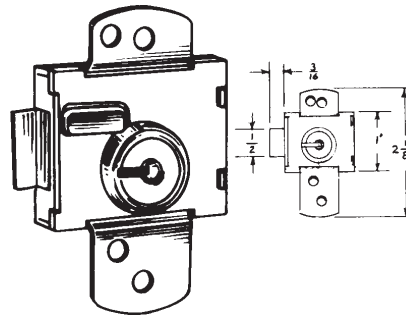
**Stock No.** B25389  
**Description** 3 lever Steel



**Stock No.** LOR-1600  
**Description** 3/16" Bolt Throw

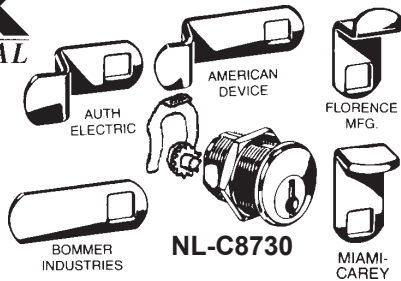


**Stock No.** LOR-1675  
**Description** 3/16" Bolt Throw For Couch

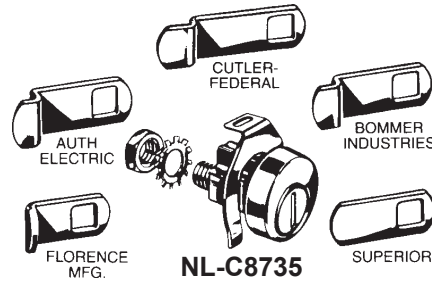


**Stock No.** LOR-1650  
**Description** 3/16" Bolt Throw

## Pin Tumbler "Multi-Cam"™ Mail Box Locks



**NL-C8730**



**NL-C8735**

This lock meets U.S.P.S. specification #L-1172 and drawing #1003833 for NDCBU and CBU applications.

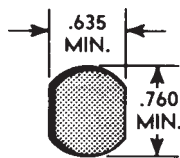
**APPLICATION**—Interior architectural mail boxes used in apartments, condominiums, schools, lobbies. **Nut or clip mounted.**

**OPERATION**—90° counter-clockwise cam turn to open. Key removable in locked position only.

**KEYING**—Available keyed different only.

**KEY BLANK**—D4291.

**PACKAGING**—Supplied with selection of five cams, two keys, mounting nut, mounting clip and cam screw.



**MOUNTING HOLE FOR ALL LOCKS**

**APPLICATION**—Exterior pedestal-mounted neighborhood boxes. Has keyway dust shutter for lock protection. **Clip mounted.**

**OPERATION**—90° clockwise cam turn to open. Key removable in locked position only.

**KEYING**—Available keyed different only.

**KEY BLANK**—D4291.

**PACKAGING**—Supplied with selection of five cams, three keys, mounting clip, cam locking nut.

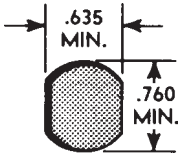
Stock No.	Installation	Direction of Turn to Open	Key Blank
NL-C8730-14A	Architectural Mail Box Fronts	90°c/cw	D4291
NL-C8735-14A	Door of Pedestal Mounted Neighborhood Boxes	90°cw	D4291

©ZIPF LOCK COMPANY

# MAIL BOX LOCKS



## Pin Tumbler Mail Box Locks GENUINE FACTORY REPLACEMENT LOCKS



**MOUNTING HOLE FOR ALL LOCKS**

**APPLICATION**—For doors on architectural mail boxes serviced by United States Postal Service.

**OPERATION**—90° cam turn. See drawings for specific operation. Key removable in locked position only.

**KEYING**—Available keyed different only.

**KEY BLANK**—D4291

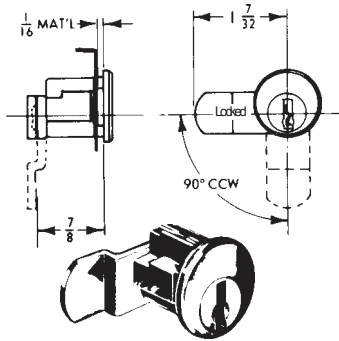
**FINISHES**—14A-Bright Nickel

**PACKAGING**—Supplied with two keys and spring mounting clip. NL-C8720 furnished with trim ring.

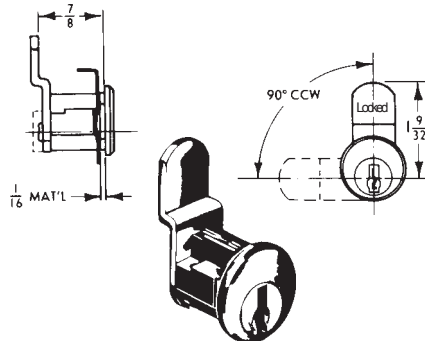


**SPRING MOUNTING CLIP**

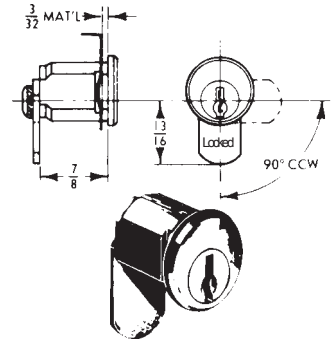
\*NL-C8712 & 8720 are provided with a threaded cylinder, with proper clip grooving.



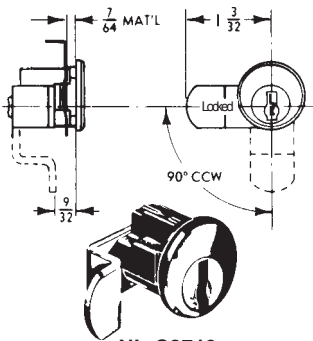
**NL-C8710**



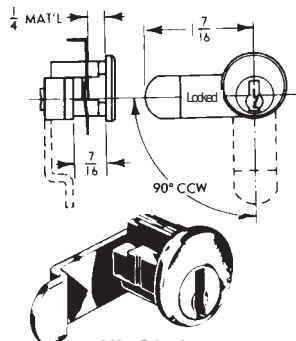
**NL-C8711**



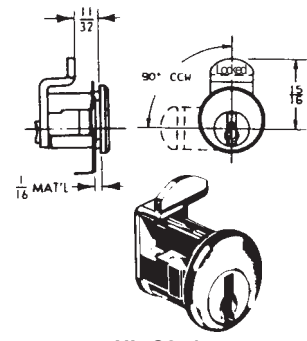
**NL-C8712\***



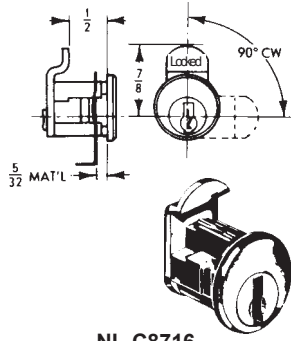
**NL-C8713**



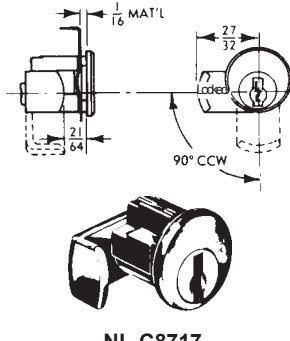
**NL-C8714**



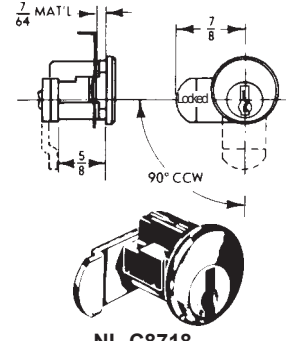
**NL-C8715**



**NL-C8716**



**NL-C8717**



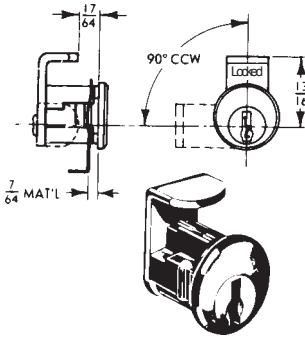
**NL-C8718**

*See next page for additional information.*

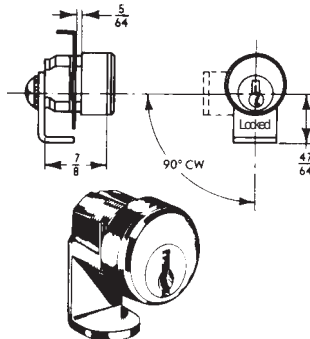
# MAIL BOX LOCKS



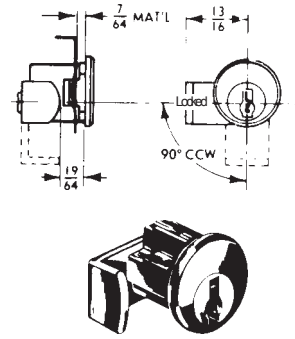
## Pin Tumbler Mail Box Locks (cont.)



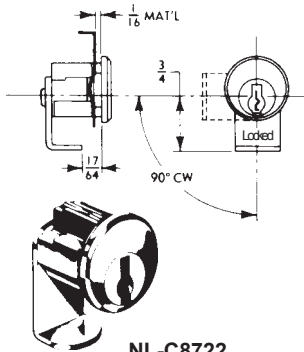
NL-C8719



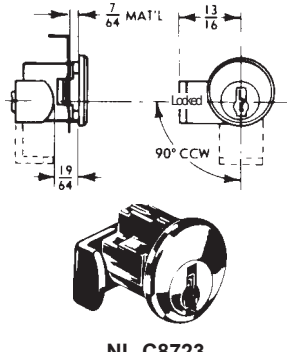
NL-C8720\*



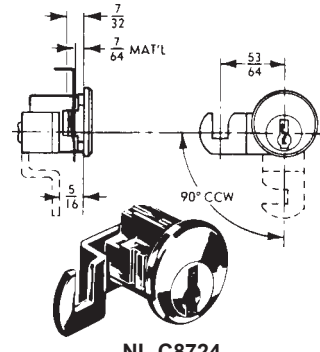
NL-C8721



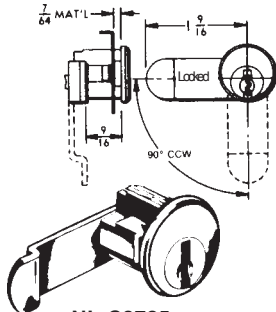
NL-C8722



NL-C8723



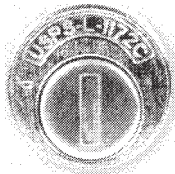
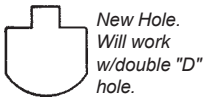
NL-C8724



NL-C8725

### NEW POSTAL LOCKS

Only approved mailbox lock to fit new USPS-STD-4C boxes



NL-C9100  
NL-C9200\*

\*Shipped w/o a cam for replacement of locks for new standard 4C boxes

- Stainless steel plug.
- 12 degree taper on cylinder head.
- Now able to accommodate up to 3/16" cam.
- Drain holes on the bottom of the cylinder.
- Will include spring clip, mounting nut and 3 keys.
- How lock opens determines key rotation.

Stock No.	Locked Cam Position	Direction of turn to open	Replaces	Key Blank
NL-C8710-14A	Left	90° c/cw	Bommer Industries	D4291
NL-C8711-14A	Up	90° c/cw	Bommer Industries	D4291
NL-C8712-14A	Down	90° c/cw	Bommer Industries	D4291
NL-C8713-14A	Left	90° c/cw	Auth Electric*	D4291
NL-C8714-14A	Left	90° c/cw	American Device	D4291
NL-C8715-14A	Up	90° c/cw	Florence Mfg.	D4291
NL-C8716-14A	Up	90° cw	S.H. Couch	D4291
NL-C8717-14A	Left	90° c/cw	Nutone	D4291
NL-C8718-14A	Left	90° c/cw	Cutler Mail Chute	D4291
NL-C8719-14A	Up	90° c/cw	Miami-Carey	D4291
NL-C8720-14A	Down	90° cw	Dura Steel	D4291
NL-C8721-14A	Left	90° c/cw	Permabilt—XL-201	D4291
NL-C8722-14A	Down	90° cw	Dura Steel—XL-202	D4291
NL-C8723-14A	Left	90° c/cw	Jensen General	D4291
NL-C8724-14A	Left	90° c/cw	Bommer Industries	D4291
NL-C8725-14A	Left	90° c/cw	Cutler Federal	D4291
NL-C9100		clockwise	USPS-STD-4C	D4300
NL-C9200		c/clockwise	USPS-STD-4C	D4300

\* Also replaces Bommer Lock B25-300 used on Bommer Box No. 9015 (sleeve inside box must be removed).

©ZIPF LOCK COMPANY