

# CHEST, CUPBOARD & DRAWER LOCKS

Also be sure to check "DESK LOCKS" on pages 291-292 if you cannot find it here.

## 100 / 200 DEADBOLT LOCK - SMALL PIN NATIONAL KEYWAY



### GENERAL FEATURES—

**Rekeyable:** Easily rekeyable via set screw cylinder release mechanism  
**Certifications:** Tested to ANSI/BHMA A156.11 Grade 1 cycle testing.  
 Withstood in excess of 40,000 cycles with no damage. All other requirements of ANSI/BHMA A 156.11, no less than Grade 2 performance was attained.  
**Body:** Zinc die cast lock body **Cylinder:** Solid brass pin tumbler cylinder  
**Barrel diameter:** 7/8" **Includes:** 56-1 bar strike  
**Finish:** 26D. *Other finishes by special order.*

### KEYING INFORMATION—

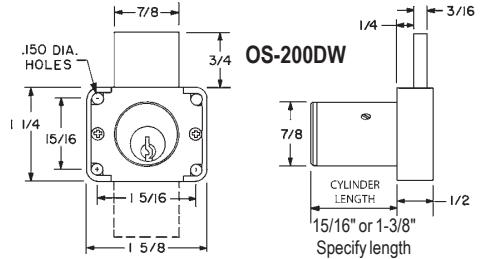
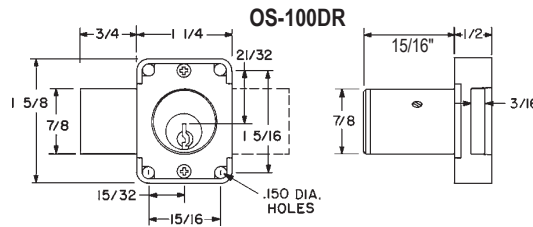
**Keyway:** National D4291 (4 pin)  
**Stock keying:** KD/KA - 4 pin standard  
**Stock KA#:** 915. *Other KA# by special order.*

### Stock No.

•Door Lock: 15/16"  
**OS-100-26D78-KD**  
**OS-100-26D78-KA915**

### Stock No.

•Drawer Lock: 15/16"  
**OS-200-26D78-KD**  
**OS-200-26D78-KA915**  
 •Drawer Lock: 1-3/8"  
**OS-200-26D138-KD**  
**OS-200-26D138-KA915**



## 300 PLUNGER LOCK - SMALL PIN NATIONAL KEYWAY



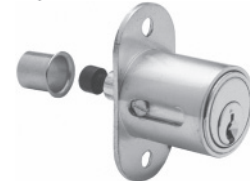
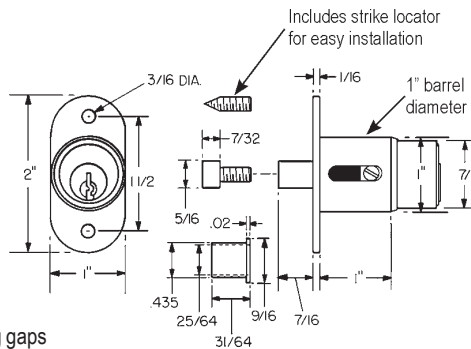
### GENERAL FEATURES—

**Rekeyable:** Easily rekeyable via speedrelease cylinder release mechanism  
**Body:** Zinc die cast lock body  
**Cylinder:** Solid brass pin tumbler cylinder  
**Barrel length:** 1" **Barrel diameter:** 1"  
**Finish:** 26D. *Other finishes by special order.*

### KEYING INFORMATION—

**Keyway:** National D4291 (4 pin)  
**Stock keying:** KD/KA - 4 pin standard  
**Stock KA#:** 915. *Other KA# by special order.*

**Includes:** 10-24 machine thread bolt extender for varying gaps between bypassing doors. 10-24 machine thread strike locator. Matching thimble strike.



**Stock No.**  
**OS-300SD-26D-KD**  
**OS-300SD-26D-KA915**

## 722 PLUNGER LOCK - IC CORE - SMALL FORMAT



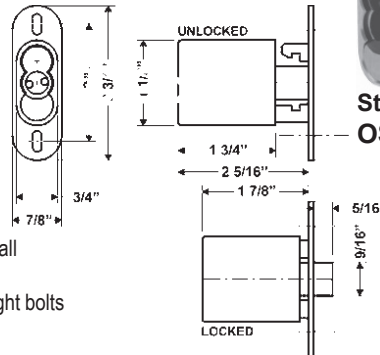
### GENERAL FEATURES—

**Barrel length:** 1-3/4"  
**Bolt throw:** 1/2"  
**Retrofits:** Best 2S, 2S-TBM  
**Max. door thickness:** 1-7/8" **Min. door thickness (TBM):** 5/8"  
**Finish:** US26

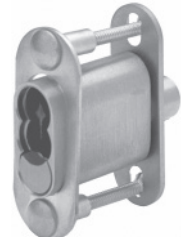
**Body:** Zinc die cast lock body

### KEYING INFORMATION—

**Cores:** Not included. *Order seperately.*  
**Accepts:** Best, Arrow, Falcon, KSP, Schlage SFIC or equivalent small format interchangeable cores  
**Includes:** Matching strike, plastic actuator. TBM also includes through bolts plates and screws



**Stock No.**  
**OS-722S-26D**



**Stock No.**  
**OS-722S-26D-TBM**



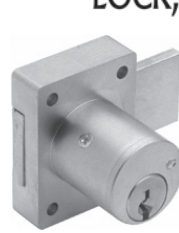
# CHEST, CUPBOARD & DRAWER LOCKS

Also be sure to check "DESK LOCKS" on pages 291-292 if you cannot find it here.

## 700S / 800S DEADBOLT LOCKS STANDARD CYLINDER-SCHLAGE STYLE

### GENERAL FEATURES—

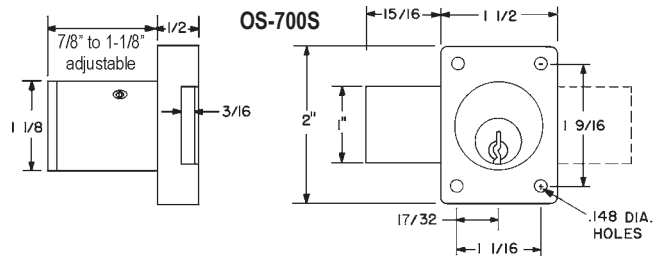
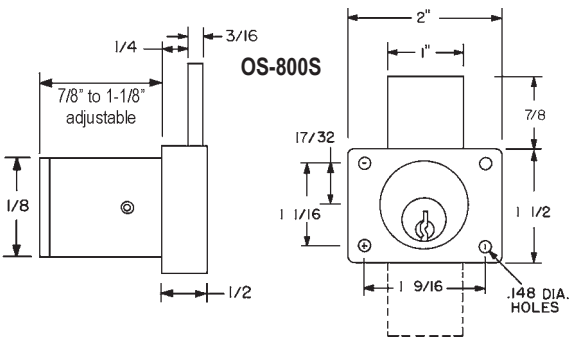
- Rekeyable:** Easily rekeyable via set screw cylinder release mechanism
  - Certifications:** Passed ANSI/BHMA A156.11 grade 1 cycle testing, obtained grade 2 performance for all other requirements
  - Body:** Zinc die cast lock body
  - Cylinder:** Will accept other manufacturer's Schlage compatible key-in-knob cylinders
  - Barrel lengths:** 7/8" to 1-1/8" adjustable
  - Barrel diameter:** 1-1/8"
  - Finish:** 26D. *Other finishes by special order.*
- ### KEYING INFORMATION—
- Keyway:** Schlage C keyway
  - Cylinder:** Solid brass pin tumbler cylinder
  - Stock keying:** KD/KA - 5 pin standard
  - Stock KA#:** 101. *Other KA# by special order.*



Stock No.  
**OS-700S-26D-KD**  
**OS-700S-26D-KA101**



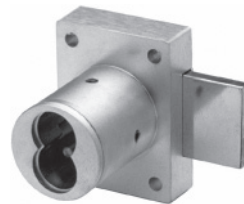
Stock No.  
**OS-800S-26D-KD**  
**OS-800S-26D-KA101**



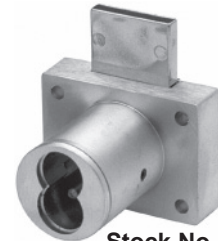
## 721 DEADBOLT LOCK IC CORE-SMALL FORMAT

### GENERAL FEATURES—

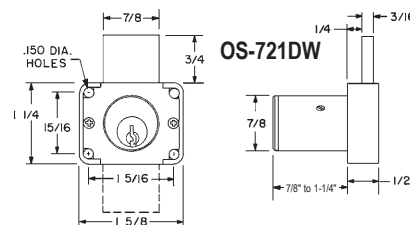
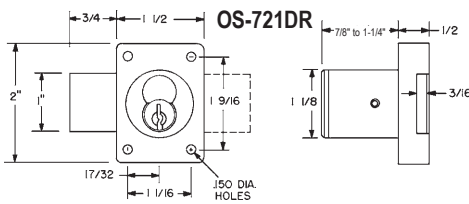
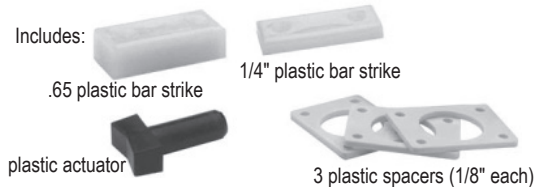
- Reversible:** Field reversible between door and drawer functions
  - Certifications:** Passed ANSI/BHMA A156.11 Grade 1 performance requirements
  - Barrel length:** 7/8" to 1-1/4"
  - Barrel diameter:** 1-1/8"
  - Retrofits:** Best 3L
  - Body:** Zinc die cast lock body
  - Finish:** US26. *Other finishes by special order.*
- ### KEYING INFORMATION—
- Cores:** Not included. *Order seperately.*
  - Accepts:** Best, Arrow, Falcon, KSP, Schlage SFIC or equivalent small format interchangeable cores



Stock No.  
**OS-721DR-26D**



Stock No.  
**OS-721DW-26D**



©ZIPF LOCK COMPANY

# CHEST, CUPBOARD & DRAWER LOCKS

Also be sure to check "DESK LOCKS" on pages 291-292 if you cannot find it here.

## 725RD - RIM DEADBOLT (SURFACE) IC CORE - SMALL FORMAT

### GENERAL FEATURES—

**Mounting:** Rim (surface)

**Retrofits:** Best 5L series cabinet lock

**Certifications:** Passed ANSI/BHMA A156.11 Grade 1 performance requirements

**Material:** Zinc die cast cylinder housing, steel back plate and steel case

**Barrel length:** 1-1/16"

**Barrel diameter:** 1-1/8"

**Finish:** US26. *Other finishes by special order.*

### KEYING INFORMATION—

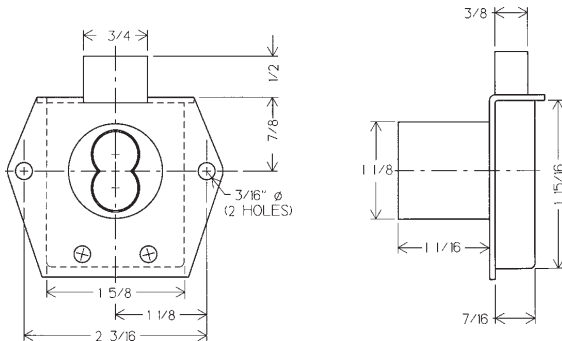
**Cores:** Not included. *Order seperately.*

**Accepts:** Best, Arrow, Falcon, KSP, Schlage SFIC or equivalent small format interchangeable cores

**OLYMPUS**  
LOCK, INC.



**Stock No.**  
**OS-725RD-DW-VH-26D**



Includes:



## 725RL - RIM LATCH (SURFACE) IC CORE - SMALL FORMAT

### GENERAL FEATURES—

**Mounting:** Rim (surface)

**Latch:** for out-swinging door applications.

**Retrofits:** Best 5L series cabinet lock

**Certifications:** Passed ANSI/BHMA A156.11 Grade 1 performance requirements

**Material:** Zinc die cast cylinder housing, steel back plate and steel case

**Barrel length:** 1-1/16"

**Barrel diameter:** 1-1/8"

**Finish:** US26. *Other finishes by special order.*

### KEYING INFORMATION—

**Cores:** Not included. *Order seperately.*

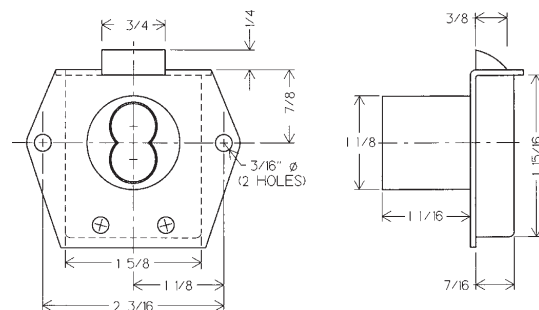
**Accepts:** Best, Arrow, Falcon, KSP, Schlage SFIC or equivalent small format interchangeable cores

**OLYMPUS**  
LOCK, INC.



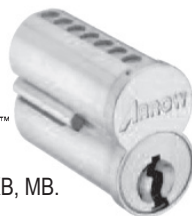
**Stock No.**  
**OS-725RL-DW-VH-26D**

Includes:



## SMALL FORMAT CORES

**Stock No.**      **Length**  
**AR-100CR-UC**    6 pin  
**AR-7100CR-UC**   7 pin



**Keyways:** 1D, AB, BB, DB, EB, FB, GB, HB, JB, KB, MB.

**Finishes:** 4-Satin Brass, 26D-Satin Chrome

**To Order, Specify:**

Stock No. Keyway and Finish (AR-C6S-UC AB 26D)

**REMEMBER: If you don't see what you need,  
please contact us with your requirements.**

©ZIPF LOCK COMPANY