

HINGES

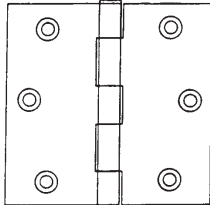
ARCHITECTURAL HINGES

CAL-ROYAL

\$ items are discontinued.
Call for closeout prices.

Residential Weight Hinges

Plain Bearing ■ 5 Knuckles
Non-template type ■ 2 hinges per box



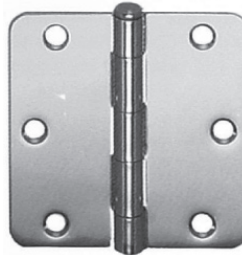
Square Corner—

No.	Size	Gauge
\$RH33	3" x 3"	.085
\$RH90	3-1/2" x 3-1/2"	.085
\$RH91	4" x 4"	.097
Finish:	US-4	

Finishes:

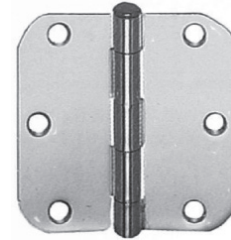
US3	Bright Brass	15	Satin Nickel
US4	Satin Brass	15A	Antique Nickel
5	Antique Brass	26	Bright Chrome
10B	Oil Rubbed Bronze	26D	Satin Chrome

Please call us if you do not see the hinge you need.



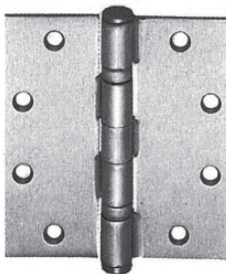
1/4" Radius Corner—

No.	Size	Gauge
RH61	3-1/2" x 3-1/2"	.085
Finishes:	US-3, 4, 5, 10B, 15, 15A, 26, 26D	
RH61B*	3-1/2" x 3-1/2"	.085
*Bulk Assembled (100 per box)		
Finishes:	US-4	
\$RH60	4" x 4"	.097
Finishes:	US-5, 15A	



5/8" Radius Corner—

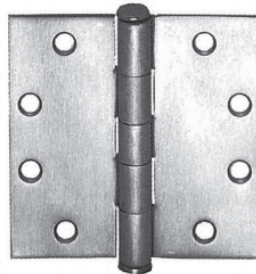
No.	Size	Gauge
RH35	3-1/2" x 3-1/2"	.085
Finishes:	US-3, 5, 10B, 15, 15A, 26, 26D	
RH35B*	3-1/2" x 3-1/2"	.085
*Bulk Assembled (100 per box)		
Finishes:	US-4	
UARH35*	3-1/2" x 3-1/2"	.085
*Bulk Unassembled (100 per box)		
Finishes:	US-4	
RH40	4" x 4"	.097
Finishes:	US-10B, 15, 15A, 26, 26D	



Standard Weight Hinges

Two Ball Bearing ■ Full Mortise Type
Template type ■ 2 or 3 hinges per box

No.	Size	Gauge
BBSC77	3-1/2" x 3-1/2"	.123
Finishes:	US-4, 26D	
BBSC56	4" x 4"	.130
Finishes:	US-3, 4, 15, 15A, 26, 26D	
BB31	4-1/2" x 4-1/2"	.134
Finishes:	US-3, 4, 10A, 15, 15A, 26, 26D, USP	
BB31NPR*	4-1/2" x 4-1/2"	.134
Finishes:	US-26D	
*NPR-Non Removeable Pin		

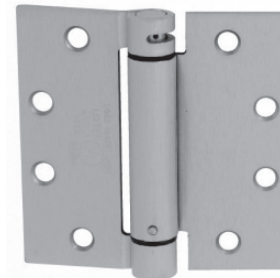


Standard Weight Hinges

Plain Bearing ■ Full Mortise Type
Template type ■ 2 or 3 hinges per box

No.	Size	Gauge
TBHSC77	3-1/2" x 3-1/2"	.123
Finishes:	US-3, 4, 15, 15A, 26, 26D	
TBHSC55	4" x 4"	.130
Finishes:	US-3, 4, 15, 15A, 26, 26D	
TBH30	4-1/2" x 4-1/2"	.134
Finishes:	US-10A, 15, 15A, 26, 26D, USP	

Lifetime
Warranty
BHMA
CERTIFIED



Spring Hinges (Commercial)

Single Acting ■ Full Mortise Type
Template type ■ 2 or 3 hinges per box

No.	Size	Gauge
SH140	4-1/2" x 4-1/2"	.134
Finishes:	US-10A, 26D, USP	

Finishes:

US3	Bright Brass
US4	Satin Brass
10A	Antique Bronze-Oiled
15	Satin Nickel
15A	Antique Nickel
26	Bright Chrome
26D	Satin Chrome
USP	Prime Coat-grey

Plain Bearing Standard Weight—For standard weight doors receiving low frequency service. Template hinges are furnished with all machine and all wood screws.

Ball Bearing Standard Weight—For standard weight doors receiving average frequency service. Template hinges are furnished with all machine and all wood screws.

©ZIPF LOCK COMPANY

HINGES

Aluminum Continuous Geared Hinges



ABH provides a **limited lifetime warranty** on its hinges for the lifetime of the door opening.

Standard Features

- Continuous hinges alleviate most common alignment problems such as door binding and sagging by evenly distributing the weight throughout the entire door and frame.
- Provides extra security by eliminating the gap between the door and the frame; thus, disallowing the ability to pry the opening.
- All hinges are surface applied – no mortising of the door or frame required.
- ABH hinges are anodized after machining.
- Will cover old butt hinge cut-outs.
- All hinges are heavy duty at standard duty prices.
- Heavy duty 83" hinge has 32 bearings (3" spacing on center).
- Meets or exceeds ANSI 156.26, Grade 1.
- Templated hole patterns for standard length hinges keep consistency over time.
- Standard Finishes – Clear anodized, dark bronze anodized and black anodized.
- **Door reinforcement:** None required.
- **Frame reinforcement:** None required for doors up to 200 lbs. For doors more than 200 lbs., 16 gauge channel required.

Full Concealed

Both hinge leaves are concealed between the rabbet of the frame and the door.

- Both door and frame leaves are provided with 12-24 x 7/8" self-drilling, thread forming tek screws (wood screws provided upon request)

Full Surface

Frame leaf is mounted to the face of the frame and the door leaf is mounted to the face of the door.

- Door leaf is provided with:
 - 1/4-20 sex bolts and shoulder bolts
 - 12-24 x " pan head self-drilling tek screws (locator holes)
 - Center punches for installation ease
- Frame leaf is provided with 12-24 x 7/8" self-drilling, thread forming tek screws (wood screws provided upon request)

Cross Reference Chart

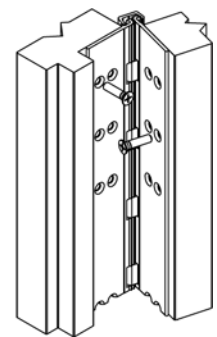
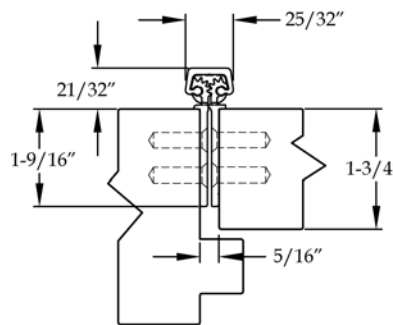
ABH*	Hager*	Select*	ASSA Abloy*		Stanley*	Ives*
			Pemko*	McKinney*		
A110	780-112	SL11	FM_SLF	MCK-12	661	112
A570	780-157	SL57	FS_CP	MCK-58	664	157
A571	780-057	SL60	PS_BP	--	--	--

*Brand names are trademarks or registered trademarks of their respective companies.

A110HD Series - Full Concealed

Standard Features

- **Full Concealed, heavy duty**
- **No door inset, flush mount**
- 48" door width maximum
- 450 lbs. door weight maximum
- Fasteners: 12-24 x 7/8" undercut self drilling, thread forming tek machine screws
- Lengths: 83". Other lengths available by special order.
- Finishes: Clear or Dark Bronze.



Stock No.	Finish
ABH-A110HDC083	Clear
ABH-A110HDD083	Dark Bronze

- More geared hinges on next page -

©ZIPF LOCK COMPANY

HINGES

Aluminum Continuous Geared Hinges



ABH provides a **limited lifetime warranty** on its hinges for the lifetime of the door opening.

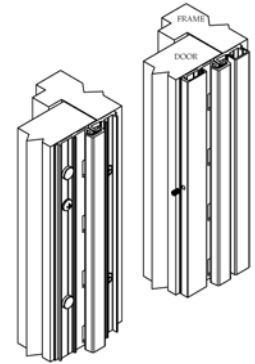
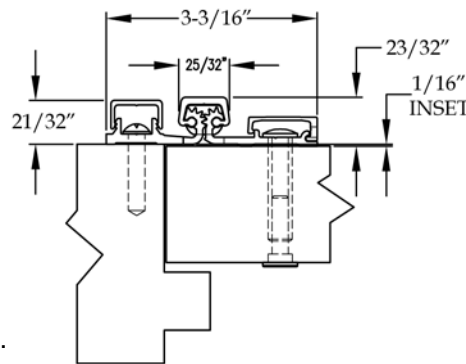
Standard Features

- Continuous hinges alleviate most common alignment problems such as door binding and sagging by evenly distributing the weight throughout the entire door and frame.
- Provides extra security by eliminating the gap between the door and the frame; thus, disallowing the ability to pry the opening.
- All hinges are surface applied – no mortising of the door or frame required.
- ABH hinges are anodized after machining.
- Will cover old butt hinge cut-outs.
- All hinges are heavy duty at standard duty prices.
- Heavy duty 83" hinge has 32 bearings (3" spacing on center).
- Meets or exceeds ANSI 156.26, Grade 1.
- Templated hole patterns for standard length hinges keep consistency over time.
- Standard Finishes – Clear anodized, dark bronze anodized and black anodized.
- **Door reinforcement:** None required.
- **Frame reinforcement:** None required for doors up to 200 lbs. For doors more than 200 lbs., 16 gauge channel required.

A570HD - Full Surface

Standard Features

- Full surface, heavy duty.
- 1/16" door inset.
- For narrow-faced frames.
- 48" door width maximum.
- 450 lbs. door weight maximum.
- Fasteners: 12-24 x 7/8" undercut self-drilling, thread-forming tek machine screws for frame and 1/4"-20 sex bolts and shoulder bolts for door.
- Standard lengths: 83". Other lengths available by special order.
- Finishes: Clear or Dark Bronze.



Stock No.

ABH-A570HDC083

ABH-A570HDD083

Finish

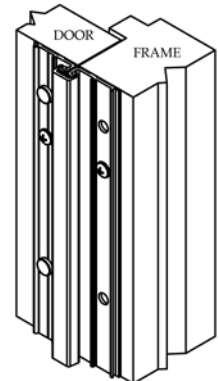
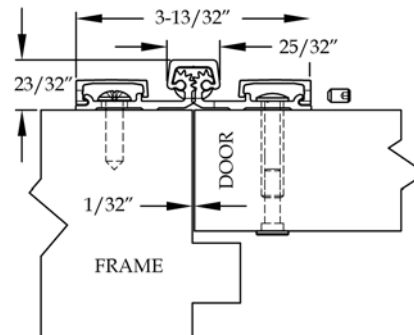
Clear

Dark Bronze

A571HD - Full Surface

Standard Features

- Full surface, heavy duty.
- 1/16" door inset.
- For Bi-fold applications.
- 48" door width maximum.
- 450 lbs. door weight maximum.
- Fasteners: 12-24 x 7/8" undercut self-drilling, thread-forming tek machine screws for frame and 1/4"-20 sex bolts and shoulder bolts for door.
- Standard lengths: 83". Other lengths available by special order.
- Finishes: Clear or Dark Bronze.



Stock No.

ABH-A571HDC083

ABH-A571HDD083

Finish

Clear

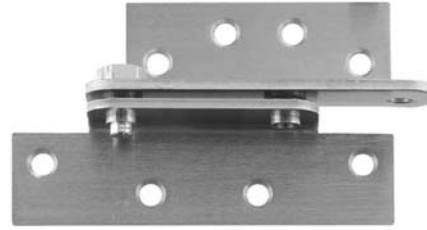
Dark Bronze

HINGES

CAL-ROYAL

REINFORCING PIVOT HINGE

Full surface reinforcing hinge can be added to doors troubled by sagging. For medium and heavy weight doors subject to high frequency and abuse. Provides increased reinforcement at the top corner of the door and jamb where stress can occur. Used for doors with 1/8" reveal. Reversible.



Stock No.
RPH-45 26D

Sizes: 4-1/2"
Gauge: .187
ANSI: A156.1

