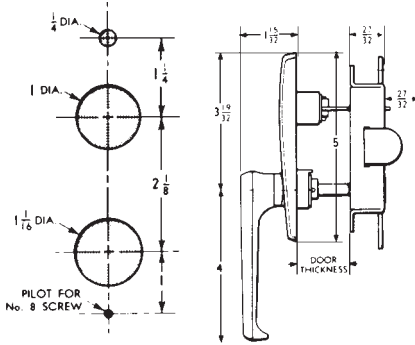
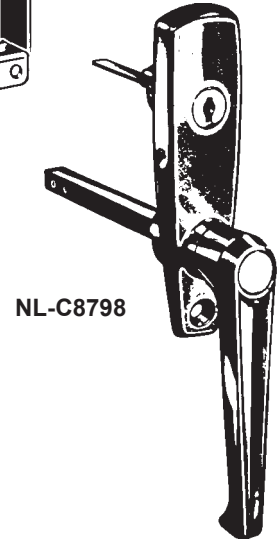
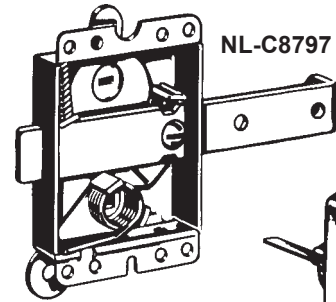
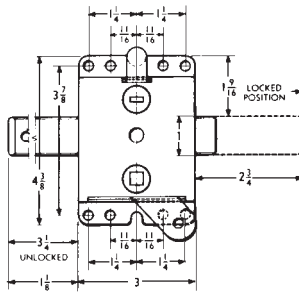


GARAGE DOOR LOCKS

GARAGE DOOR MECHANISM-LOCKING HANDLE



Mounting Holes for Handle



APPLICATION—For mounting on sectional over head doors. Factory assembled for right hand mounting. Mechanism installs at right side of door (inside garage) to lock into track. Handle can replace Overhead Door locking handles. Mechanism can be reversed for left hand application.

OPERATION—Turning key releases mechanism, unlocking door. Handle turns down to vertical position. Turn handle to horizontal to lock door. Key removable in both locked and unlocked positions.

KEYING—Keyed different only. 10 changes only.

FINISHES—2C-Zinc Plated, 26-Bright Chrome

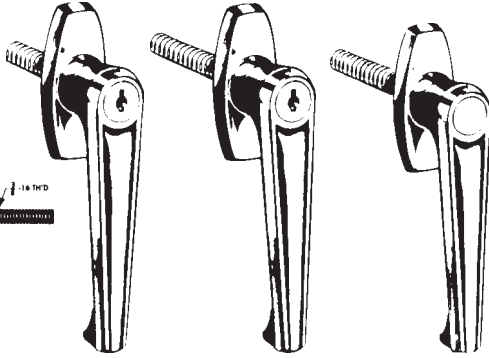
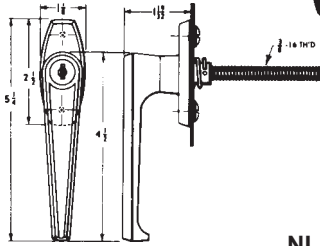
PACKAGING—NL-C8798 supplied with two keys and mounting screws. NL-C8797 furnished with mounting screws.

Stock No.	Installation	Operation	Key Blank
NL-C8797-2C	Inside door near track.	Sliding bolt locks into track.	—
NL-C8798-26	Outside door over mechanism	Key releases mechanism, handle locks mechanism	D8785

**We pride ourselves on our customer service.
We urge you to test us today and every day!**

HANDLE LOCKS

DISC TUMBLER HANDLE LOCKS



NL-C8751

NL-C8754

NL-C8755

APPLICATION—For doors on metal lockers and cabinets. For R.H. doors, install with escutcheon vertical. For L.H. doors, install with escutcheon horizontal. Choice of spindle lengths and mounting. Spindles accept both NL-C8756 latch plate and NL-C8757 tongue. NL-C8749 will accept only the NL-C8757 tongue. Spindles can be cut to fit special requirements.

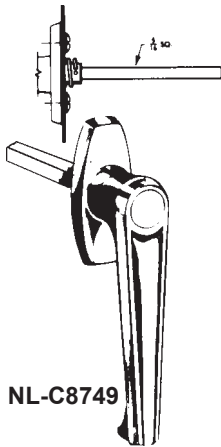
OPERATION—Key removable in both locked and unlocked positions.

KEYING—Will key together with all other disc tumbler locks using D8785 key blank.

KEY BLANK—D8785.

PACKAGING—Supplied with two keys (except NL-C8755) and mounting hardware.

FINISHES—26D-Dull Chrome.

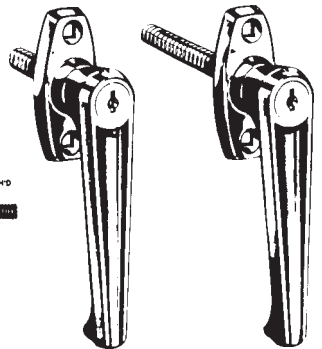
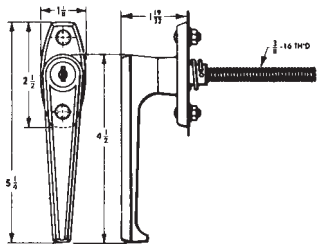


NL-C8749

CompX
NATIONAL

Stock #	Type of Mounting	Spindle Length	Direction of Turn to Open	Keyed Alike Numbers Avail.
NL-C8749-26D	Rear	4"***	90° c/cw	C415A
NL-C8751-26D	Rear	1"	90° c/cw	C413A, C415A
NL-C8754-26D	Rear	3"	90° c/cw	C413A, C415A
NL-C8755-26D*	Rear	3"	90° c/cw	—
NL-C8758-26D	Thru-the	1"	90° c/cw	C413A
NL-C8759-26D	Escutcheon	3"	90° c/cw	C413A, C415A

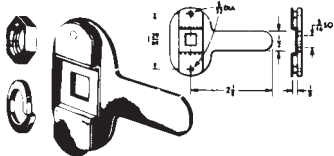
*Non-locking handle. **5/16" sq. spindle



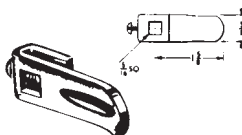
NL-C8758

NL-C8759

LATCH PLATE & TONGUE FOR ABOVE HANDLE LOCKS



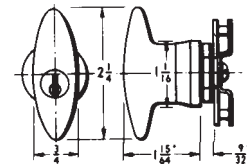
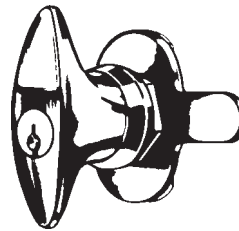
NL-C8756-2C



NL-C8757-2C

Stock No.	Description	Method of Attachment to spindle
NL-C8756-2C	3 point latch plate with tongue. Used with locking bars.	Hex nuts with lock washers threaded on spindle.
NL-C8757-2C	Single point latch tongue	Side mounted set screw

PIN TUMBLER KNOB LOCKS



NL-C8154, NL-C8155

APPLICATION—For metal cabinet doors. Reversible for R.H. or L.H. application. Latch plate is used for either in 2* or 3 point latching. (*Install with tongue pointing away from jamb.)

OPERATION—90° turn to open. Choice of key operation, see below.

KEYING—Will key together with all other pin tumbler locks using D4291 key blank except NL-C8700 series mail box locks. Available keyed different or keyed alike.

KEY BLANK—D4291.

PACKAGING—Supplied with two keys, mounting nut and screw for latch plate.

FINISHES—26D-Dull Chrome.

Stock #	Description	Max. Mat. Thick.	K.A. No.
NL-C8154-26D	Key removable in both locked /unlocked positions	1/8"	107
NL-C8155-26D	Key removable in locked position only	1/8"	107, 915

©ZIPF LOCK COMPANY

360v1 SUPER SPECIAL PRICING AVAILABLE ON ITEMS MARKED WITH ■ - SUPPLIES LIMITED - PLEASE INQUIRE.
(PL-32)

