

DOOR CLOSERS

We stock Residential and Commercial Hardware and more. If you don't see what you need, please contact us. We have access to more than what we catalog.

CR801 SERIES DOOR CLOSER



Lifetime Warranty
BHMA
CERTIFIED

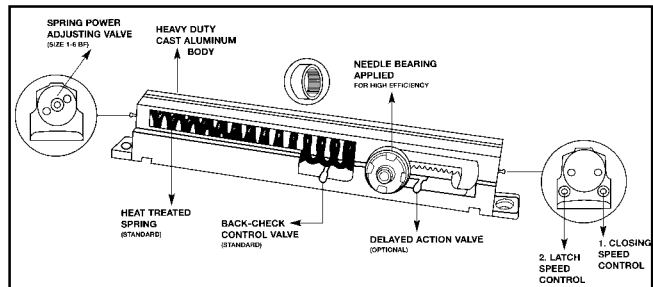
Stock No. Finish
CR-801 ALUM or DURO
CR-801S ALUM or DURO

801 has full cover
801S has slim cover (pictured)



CAL-ROYAL

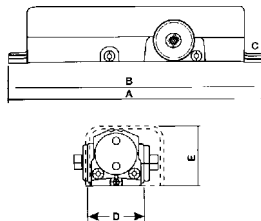
6 closers per case



Hole pattern same as Norton 8301/8501

- Meets the highest industry standards, ANSI 156.4, GRADE 1.
- U.L. Listed, Conforms to standards UL10C and UBC7-2-1997.
- For 30-260 lbs door weight.
- Lifetime Warranty. BHMA Certified.
- Heavy-duty double lever arm with extra smooth action full feature multi-size commercial door closer for use in office buildings, shopping centers, and other commercial buildings.
- Standard back-check function.
- Barrier Free, meets ADA regulations. Adjustable size 1-6.
- Included: Parallel Bracket, wood screws & self tapping machine screws, cover, sex bolts.**

- A. Length of closer: 12-3/4"
B. Horizontal Mounting Holes: 12"
C. Vertical Mounting Holes: 3/4"
D. Width of Closer Body: 1-1/4"
E. Projection from Door: 2-1/8"



Cross Reference Chart

CAL ROYAL CR-801S

Corbin	DC3200xM76
Dorma	8600
LCN	1460-72
Norton	8301
Russwin	9000
Sargent	1430
Yale	3301
Door-o-matic	SC-80

Cross Reference Chart

CAL ROYAL CR-801

Corbin	DC3200
Dorma	8600FC
LCN	1460FC
Norton	8501
Russwin	DC6200
Sargent	1431
Yale	3501
Door-o-matic	SC80FC

NOTE—The data on the cross reference chart represents Cal Royal's judgment of which are most similar. Since no product is exactly alike the information has been obtained from trade sources. It is not guaranteed nor represented that any specific products exactly equals any other product. Door closer body size may be different.

©ZIPF LOCK COMPANY

Sex Bolts, female part only 1/4" x 20

CR-970 1-3/8" US-10, 26D Set of 4

CR-970 1-3/4" US-10, 26D Set of 4

293v4
(PL-23)

DOOR CLOSERS

CR441 SERIES DOOR CLOSER

CAL-ROYAL

- Full Cover Multi-size Full Feature Closer
- ANSI 156.4 Grade 1, UL Listed
- Lifetime Warranty. BHMA Certified.



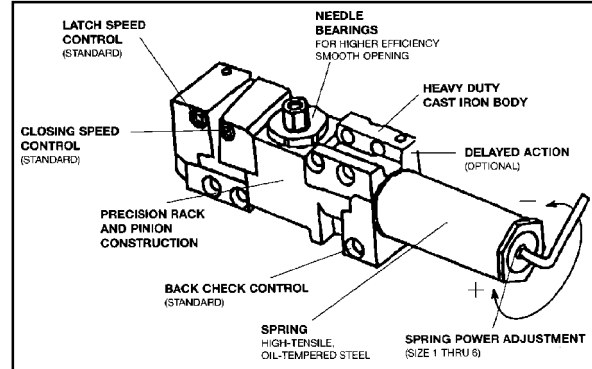
6 closers per case



Same hole pattern as
LCN 4040/4041



- Universal application. Non-handed for standard, top-jamb or parallel arm installations.
- U.L. Listed. Conforms to standards UL10C & UBC7-2-1997
- Non-sized, 1 thru 6, FACTORY PRESET SIZE 3 meets ADA.
- For 30-260 lbs door weight.
- Standard back-check function.
- Adjustable closing and latching speed by two separate regulating valves.
- Optional adjustable delayed action (DA). Preset at factory for approximately 20 seconds, between 70° and 0°. Delay time easily adjustable up to 1 minute. (CR-441DA)
- Heavy-duty double lever arm with extra smooth action full feature multi-size commercial door closer for use in office buildings, shopping centers and other commercial buildings.
- Heavy-duty cast iron body with high-tensile oil-tempered steel spring.
- Self tapping screws and closer gauge for easy adjustment is standard.
- Standard full plastic cover.
- Included: Parallel Bracket, wood screws & self tapping machine screws, full cover, sex bolts.



EXTERIOR (and VESTIBULE) DOOR WIDTH

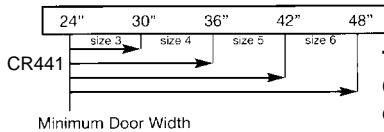
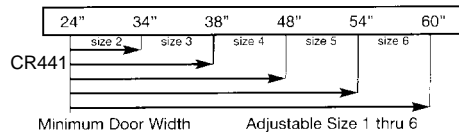


TABLE OF SIZES

Closing power of CR441 Series closers may be adjusted 50%.
—> shows recommended range of door width for closer size.

INTERIOR DOOR WIDTH



DESCRIPTION	SIZE
A. Length of Closer Body	11"
B. Horizontal Mounting Holes	5"
C. Vertical Mounting Holes	1"
D. Width of Closer Body	2 3/4"
E. Projection from Door	2"

Sex Bolts, female part only 1/4" x 20
CR-970 1-3/8" US-10, 26D Set of 4
CR-970 1-3/4" US-10, 26D Set of 4

Closer Arms (sold separately)

CR3077SPAS Super rigid parallel arm stopper, non handed.

CR3049HOSRPS Same as above BUT for hold open

CR3049HO Hold open arm w/parallel bracket

Specify finish: ALUM or DURA

TO ORDER, SPECIFY:

Stock No. and Finish

Stock No.	Description
CR-441	Regular Arm
CR-441DA	Delay Action Arm

Finishes: ALUM Aluminum
 DURO Duronodic
 GOLD Gold
 (US-3, 26 Special Order)

CAL ROYAL DOOR CLOSER COMPARISON CHART

CAL ROYAL	AMERICAN EAGLE	CORBIN RUSSWIN	DESIGN HARDWARE	DORMA	DOR-A-MATIC	HAGER	LCN	NORTON	PARKER	SARGENT	TAYMOR	YALE
CR-441	7100	DC3000/DC6200	416	8900	SC70	5100	4041	9500		281/350		4400
CR-900		DC3200		8600FC	SC80FC	5200	1460FC	8501		1431		3501
CR-300				640/7300/7400		5300	1070/1370	1600	900	1130		50
CR-700		4600		640		5400		9300	500		9500/60	2300
CR-400		100 / 2800* *Russwin		600			1050	1600	500		9500/60	50

The data on this represents Cal Royal's judgment of which are most similar. Since no product is exactly alike the information has been obtained from trade sources, it is not guaranteed nor represented that any specific product exactly equals any other product.

DOOR CLOSERS

900 SERIES DOOR CLOSER

CAL-ROYAL



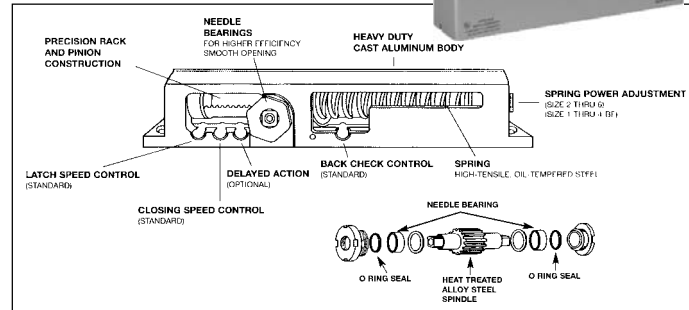
6 closers per case



- Full Cover Multi-size Full Feature Closer
- ANSI 156.4 Grade 1, UL Listed
- Lifetime Warranty. BHMA Certified.

See Comparison Chart on page 294

- Universal application. Non-handed for standard, top-jamb or parallel arm installations.
- U.L. Listed. Conforms to standards UL10C & UBC7-2-1997
- For 30-260 lbs door weight.
- Standard adjustable back-check function.
- Adjustable closing and latching speed by two separate regulating valves.
- Barrier free, adjustable size 1-6 (factory preset size 3). Meets ADA regulations. Engineered with reduced spring power to provide easier opening for handicapped or elderly.
- Optional adjustable delayed action (DA). Preset at factory for approximately 20 seconds, between 70° and 0°. Delay time easily adjustable up to 1 minute. (CR-N900-PBFDA)
- **Included: Parallel Bracket, wood screws & self tapping machine screws, full plastic cover, sex bolts.**
- **US3**-includes: metal cover, full arm, screws and parallel bracket.

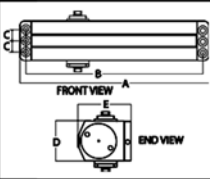


TO ORDER, SPECIFY:

Stock No. and Finish

Stock No.	Description
CR-900-PBF	Barrier Free
CR-N900-PBFDA	BF/Delay Action
Finishes:	ALUM Aluminum
	DURO Duronodic
	GOLD Gold
	US3 Bright Brass

DESCRIPTION	SIZE
A. Length of Closer Body	11 3/4"
B. Horizontal Mounting Holes	11 1/8"
C. Vertical Mounting Holes	9/16"
D. Height of Closer Body	2"
E. Projection from Door	2 7/8"



Closer Arms (sold separately)

- CR-SPAS/900** Super rigid parallel arm stopper, non handed.
 - CR-HOSRP/900** Same as above BUT for hold open
 - CR-901/902** Hold open arm w/parallel bracket
- Specify finish: ALUM or DURA

300 SERIES DOOR CLOSER

CAL-ROYAL

Lifetime Warranty



10 closers per case

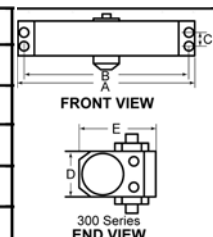
- Universal Model Barrier-Free Compliance
- ANSI A156.4, Grade 1, UL Listed
- Lifetime Warranty.
- **300-PBFCOV:** Non-sized, fully adjustable 1 through 4, (Barrier Free ADA) interior doors. Full plastic cover. For 30-185 lbs door weight.
- **300-PCOV:** Non-sized, fully adjustable 3 through 6, (Barrier Free ADA) exterior doors. Full plastic cover. For 85-260 lbs door weight.
- U.L. Listed. Conforms to standards UL10C & UBC7-2-1997.
- Hydraulic closer with standard adjustable backcheck valve.
- Universal Mounting - standard size #4 mounting holes. (9-1/16").
- Dual valve, closing and latching speed controlled by two separate regulating valves.
- Universal application, non-handed, designed for all standard installations.
- Reinforced type adjustable tube arm.
- Rack and pinion operation contained in a high tensile precision cast with **needle bearing** aluminum housing for the highest quality.
- High quality hydraulic fluid for high lubricity and constant lubrication.
- The streamlined design permits installation on most commercial and residential applications without adapters.
- Power adjustment bracket on regular arms. (15% adjustment, ± 7-1/2%)
- **Included: Parallel bracket, Wood screws and self tapping machine screws, cover.**

- Finishes:
- ALUM** Aluminum
 - DURO** Duronodic
 - GOLD** Gold
 - US3** Bright Brass

Stock No.	Description
CR-300-PCOV	Barrier Free - Exterior
CR-300-PBFCOV	Barrier Free - Interior

TO ORDER, SPECIFY: Stock No. and Finish

DIMENSION DESCRIPTION	SIZE
A. Length of Closer Body	9 3/4"
B. Horizontal Mounting Holes	9 1/16"
C. Vertical Mounting Holes	3/4"
D. Height of Closer Body	1 3/4"
E. Projection from Door	2 7/8"



See Comparison Chart on page 294
 Can be used for retrofit of: Norton 1600 (Sizes 4, 5 or 6) and Yale 50 (sizes 4, 5 or 6)

Sex Bolts, female part only 1/4" x 20
 CR-970 1-3/8" US-10, 26D Set of 4
 CR-970 1-3/4" US-10, 26D Set of 4

295v3
 (PL-23)

DOOR CLOSERS

700 SERIES DOOR CLOSER

CAL-ROYAL

10 closers per case



- Universal Model (Universal Hole Pattern)
- Meets & Exceeds ANSI 156.4 Grade 1. UL Listed
- Lifetime Warranty. BHMA Certified.
- Hydraulic door closer with dual valve, closing and latching speed controlled by two separate regulating valves.
- Universal application, non-handed, designed for all standard installations.
- Reinforced type adjustable tube arm.
- Rack and pinion operation contained in a high tensile precision cast aluminum housing for the highest quality.
- High quality hydraulic fluid for high lubricity and constant lubrication.
- The streamlined design permits installation on most commercial and residential applications without adapters.
- Power adjustment bracket on regular arms. (15% adjustment, $\pm 7-1/2\%$)
- **Included: Parallel Bracket, Machine and wood screws.**
- **Optional Back Check controlled by separate regulating valve on closers CR-740BC Alum or Duro.**

CAN BE USED FOR RETROFIT OF NORTON 1600 AND YALE 50

Stock No.	Size*
CR-720	2
CR-730	3
CR-740	4
CR-740BC	4
CR-750	5

Finishes:
ALUM Aluminum
DURO Duronodic

*With regular / parallel arm.
 BC-Optional Back Check.

TO ORDER, SPECIFY: Stock No. and Finish

See Comparison Chart on page 294

DESCRIPTION	SIZE			
	2	3	4	5
A. Length of Closer Body	8 7/8"	8 7/8"	9 3/4"	9 3/4"
B. Horizontal Mounting Holes	8 3/16"	8 3/16"	9 1/16"	9 1/16"
C. Vertical Mounting Holes	3/4"	3/4"	3/4"	3/4"
D. Height of Closer Body	1 3/4"	1 3/4"	1 3/4"	1 3/4"
E. Projection from Door	2 7/8"	2 7/8"	2 7/8"	2 7/8"

REGULAR CLOSERS				CLOSERS WITH PARALLEL ARM ADAPTER		
MODEL NO.	DOOR WEIGHT (POUNDS) ALL MODELS	MAXIMUM SIZE OF DOOR			MAXIMUM SIZE OF DOOR	
REGULAR		INTERIOR	EXTERIOR INSWINGING	INTERIOR OUTSWINGING	INTERIOR	EXTERIOR INSWINGING
720	55-100	3'0"	---	---	2'6"	---
730	88-143	3'6"	2'6"	3'0"	3'0"	2'6"
740	120-187	4'0"	3'0"	3'6"	3'6"	3'0"
750	176-265	4'6"	3'6"	4'0"	4'0"	3'6"

400 SERIES DOOR CLOSER

CAL-ROYAL

10 closers per case

- Universal Model
- Meets & Exceeds ANSI 156.4 Grade 2. UL Listed
- 5 Year Warranty
- Dual valve, closing and latching speed controlled by two separate regulating valves.
- Universal application, non-handed, designed for all standard installations.
- Reinforced type adjustable tube arm.
- Rack and pinion operation contained in a high tensile precision cast aluminum housing for the highest quality.
- High quality hydraulic fluid for high lubricity and constant lubrication.
- The streamlined design permits installation on most commercial and residential applications without adapters.
- Power adjustment bracket on regular arms. (15% adjustment, $\pm 7-1/2\%$)
- Regular arm, Parallel arm. **Parallel bracket, machine & wood screws included.**
- Universal hole pattern. (Size [3] 430-P)

Stock No.	Size*
CR-420-P	2
CR-430-P**	3

*With regular arm/parallel arm.
 **Universal hole pattern

Finishes: **ALUM** Aluminum
DURO Duronodic



TO ORDER, SPECIFY: Stock No. and Finish

See Comparison Chart on page 294

DESCRIPTION	SIZE	
	420-P	430-P
A. Length of Closer Body	7 1/2"	8 3/4"
B. Horizontal Mounting Holes	6 3/8"	8 1/8"
C. Vertical Mounting Holes	3/4"	3/4"
D. Height of Closer Body	1 3/4"	1 3/4"
E. Projection from Door	2 3/4"	2 7/8"

REGULAR CLOSERS				CLOSERS WITH PARALLEL ARM ADAPTER		
MODEL NO.	DOOR WEIGHT (POUNDS) ALL MODELS	MAXIMUM SIZE OF DOOR			MAXIMUM SIZE OF DOOR	
REGULAR		INTERIOR	EXTERIOR INSWINGING	INTERIOR OUTSWINGING	INTERIOR	EXTERIOR INSWINGING
420P	55-100	3'0"	---	---	2'6"	---
430P	88-143	3'6"	2'6"	3'0"	3'0"	2'6"

©ZIPF LOCK COMPANY

296v3
 (PL-23)

Sex Bolts, female part only 1/4" x 20
CR-970 1-3/8" US-10, 26D Set of 4
CR-970 1-3/4" US-10, 26D Set of 4

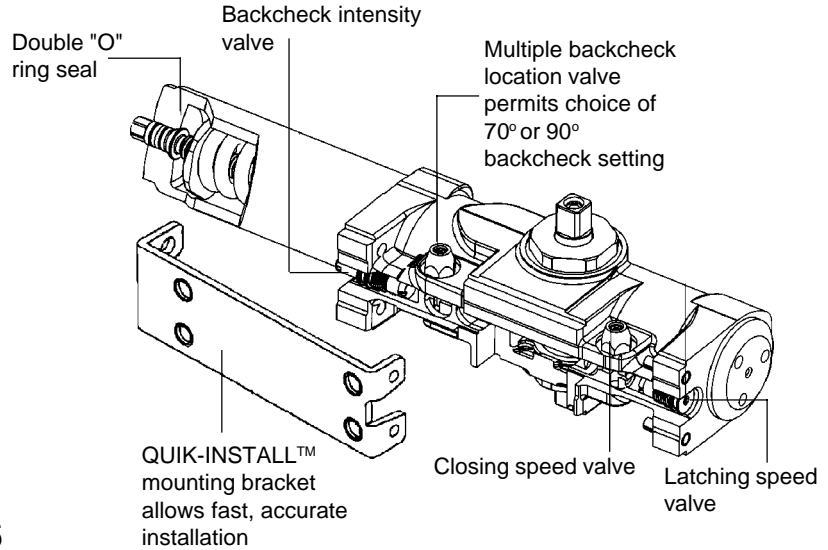
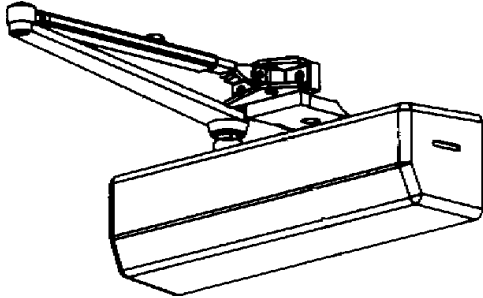
DOOR CLOSERS

DC6000 SERIES DOOR CLOSER



- UL/ULC/UL10c Listed
- ANSI A156.4, Grade 1
- 10 year warranty

One Size Fits All



Corbin/Russwin DC6000 Series Multi-Sized Door Closers

▪ Conditions vary from job to job, but a top-quality product that is dependable, easy to install and versatile is a must. The DC6000 Series door closer is the solution. A variety of features makes this the choice for retrofitting, quick installation, and longevity. The small footprint and unobtrusive cover are additional advantages to a versatile line of closers.

- **UL/ULC/UL10c:** Listed for fire and cycle requirements.
- **ANSI:** Meets A156.4, Grade1, and A117.1 Accessibility Code.
- **Spring Power:** Multi-Sized, Fully adjustable 1 through 6.
- **Power Adjustment Arm Bracket:** 15% adjustment.
- **Fluids:** High lubricity extreme temperature hydraulic fluid.
- **Body:** Cast iron case w/seamless cold headed steel spring tube.
- **Degree of Opening:** Up to full 180 degree opening.
- **Handing:** Non-Handed.
- **Springs:** Chrome silicon wire.
- **Valves:** Latching and Closing speed valves. Multiple backcheck location and backcheck intensity valves
- **Cover:** Non-metallic full cover.
- **Mountings:** Regular, top jamb and parallel arm installations.
- **Warranty:** Ten-year limited.

Description:

Springs can be adjusted to provide a full range of closer sizes (1 thru 6). Closers can be adjusted, at the job site, to suit various door sizes and conditions.

Spring Adjustment: Installation form gives instructions for setting closer to accommodate various door sizes.

Stock No. RE-DC6210 **Type of Closer** Non-Hold Open

Finishes
689 Silver Aluminum Painted

Applications:
Regular, Top Jamb and Parallel Arm (M100)

Includes:
Parallel Arm Bracket, Sex Nuts and bolts(M54)

DOOR SIZE CHART				
Type of Installation	Interior	Exterior In-swing	Exterior Out-swing	Recommended Closer Size
Regular & Top Jamb	2'4"	—	—	1
	3'0"	—	—	2
	3'6"	2'6"	3'0"	3
	4'0"	3'0"	3'6"	4
	4'6"	3'6"	4'0"	5
Parallel Arm	5'0"	4'0"	4'6"	6
	2'4"	—	—	1
	2'6"	—	—	2
	3'0"	—	2'6"	3
	3'6"	—	3'0"	4
	4'0"	—	3'6"	5
	4'6"	—	4'0"	6

We have a limited supply of these closers at a very special price. Or check Cal-Royal's CR-441 as an alternative to the above closer. If your job requires Corbin Russwin please contact us with your needs.

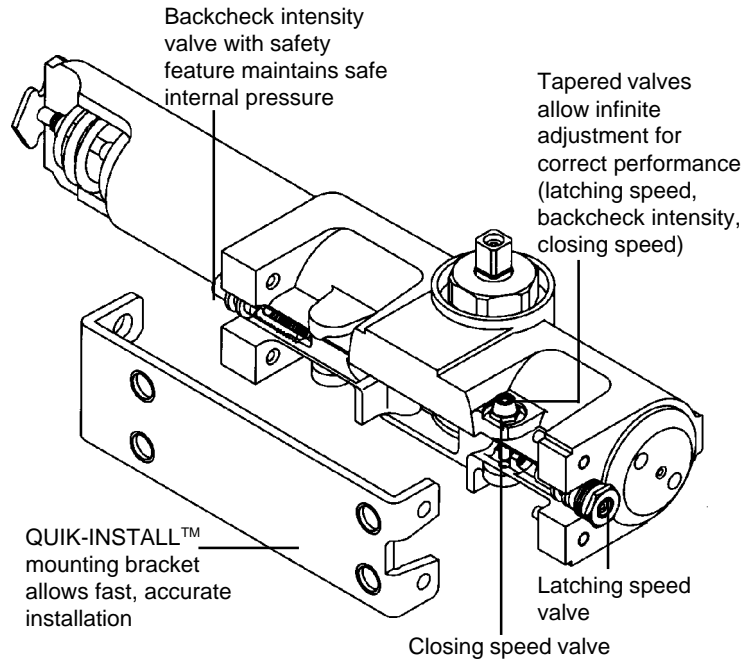
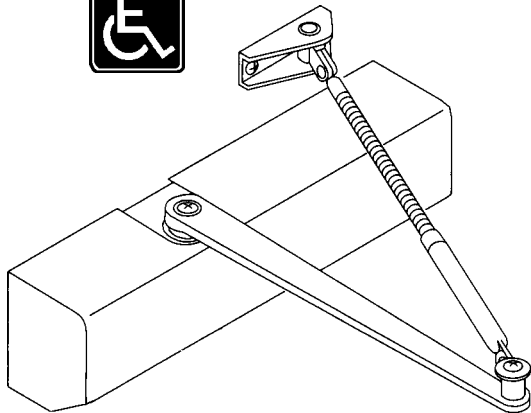
DOOR CLOSERS

DC3000 SERIES DOOR CLOSER



- UL and UL10C Listed
- ANSI A156.4, Grade 1
- 5 year warranty

One Size Fits All



Corbin/Russwin DC3000 Series Multi-Sized Door Closers

• The mid-priced, cost effective choice for high-traffic situations. DC3000 Series Door Closers fulfill security and life safety requirements by ensuring reliable latching for access control and fire code compliance, along with ease of operation and precise adjustability for barrier-free code compliance. Ideal for virtually all door openings and draft conditions in both new construction and renovations.

- **UL & UL10C:** Listed for fire and cycle requirements.
- **ANSI:** Meets A156.4, Grade 1, and A117.1 Accessibility Code.
- **Spring Power:** Multi-Sized, Fully adjustable 1 through 6.
- **Power Adjustment Arm Bracket:** 15% adjustment.
- **Fluids:** High lubricity hydraulic fluid.
- **Body:** Cast iron case w/seamless one-piece forged steel spring tube.
- **Degree of Opening:** Up to full 180 degree opening.
- **Handing:** Non-Handed.
- **Springs:** Double heat treated steel and tempered.
- **Valves:** Latching and Closing speed valves. Backcheck intensity valve with safety feature.
- **Cover:** Non-metallic full cover.
- **Mountings:** Regular, top jamb and parallel arm installations.
- **Warranty:** Five-year limited.

Description:

Springs can be adjusted to provide a full range of closer sizes (1 thru 6). Closers can be adjusted, at the job site, to suit various door sizes and conditions.

Stock No. RE-DC3210
Type of Closer Non-Hold Open

Finishes
690 Dark Bronze Painted

Applications:
Regular, Top Jamb and Parallel Arm (M100)

Includes:
Parallel Arm Bracket, Sex Nuts and bolts(M54)

DOOR SIZE CHART				
Type of Installation	Interior	Exterior In-swing	Exterior Out-swing	Recommended Closer Size
Regular & Top Jamb	2'4"	—	—	1
	3'0"	—	—	2
	3'6"	2'6"	3'0"	3
	4'0"	3'0"	3'6"	4
	4'6"	3'6"	4'0"	5
Parallel Arm	5'0"	4'0"	4'6"	6
	2'4"	—	—	1
	2'6"	—	—	2
	3'0"	—	2'6"	3
	3'6"	—	3'0"	4
	4'0"	—	3'6"	5
	4'6"	—	4'0"	6

Spring Adjustment: Installation form gives instructions for setting closer to accommodate various door sizes.

©ZIPF LOCK COMPANY

298
(PL-23)

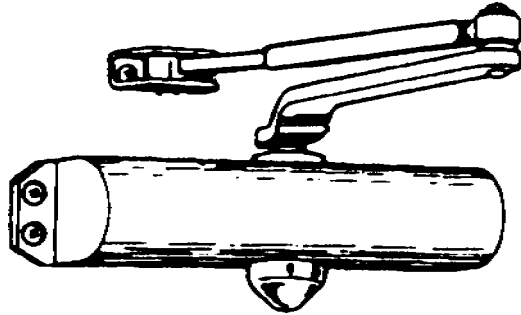
We have a limited supply of these closers at a very special price. Or check Cal-Royal's closers as an alternative to the above closer. If your job requires Corbin Russwin please contact us with your needs.

DOOR CLOSERS

DC4000 SERIES DOOR CLOSER



- UL and ULC Listed
- 2 year warranty



Stock No.	Size	Old Number
RE-DC4602	2	(DC4612)
RE-DC4603	3	(DC4613)
RE-DC4604	4	(DC4614)
RE-DC4605	5	(DC4615)

Finishes

- 689 Silver Aluminum Painted
- 690 Dark Bronze Painted
- 691 Light Bronze Painted

Applications:

Regular, Top Jamb and Parallel Arm (M100)

Corbin/Russwin DC4000 Series Door Closers

• Proven Corbin Russwin quality in an economical door closer. Ease of use, reliable performance and fire code compliance make the DC4000 Series Door Closer ideal for such light duty applications as: Residences, Offices, Apartments, Hotels & Motels, Retail outlets and Warehouses.

- **UL & ULC:** Listed for closers with non-hold open arms.
- **Spring Power:** Sizes 2, 3, 4 and 5 available.
- **Power Adjustment Arm Bracket:** 15% (plus/minus 7-1/2%) adjustment.
- **Fluids:** High lubricity hydraulic fluid.
- **Body:** Cast aluminum.
- **Degree of Opening:** Up to full 180 degree opening.
- **Handing:** Non-Handed.
- **Springs:** Tempered steel.
- **Valves:** Closing speed valve, latch speed valve & backcheck valve.
- **Cover:** None.
- **Mountings:** Regular, top jamb and parallel arm installations.
- **Minimum Mounting Requirements:** Regular arm: 2-1/2" top rail, 1/8" reveal; Parallel Arm: 5" top rail without drop plate; Top jamb: 1-3/8" top rail, up to 2-7/8" reveal.
- **Warranty:** Two-year limited..

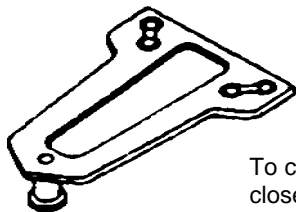
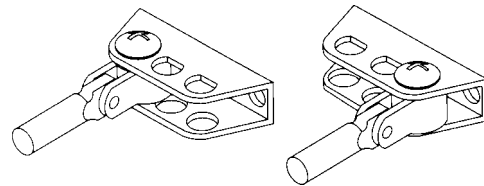
DOOR SIZE CHART

Type of Installation	Interior	Exterior, Reg. Arm	Exterior, Top Jamb	Recommended Closer Size
Regular & Top Jamb	3'0"	—	—	2
	3'6"	3'2"	3'0"	3
	4'0"	3'8"	3'6"	4
	4'6"	4'2"	4'0"	5
Parallel Arm	2'6"	—	—	2
	3'0"	—	2'6"	3
	3'6"	—	3'0"	4
	4'0"	—	3'6"	5

POWER ADJUSTMENT ARM BRACKET:

Standard on all closers without hold-open. In regular arm or top jamb mounting, forearm may be relocated to adjust power plus or minus 7-1/2%.

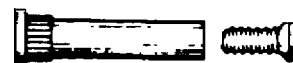
This is a limited adjustment to increase or decrease holding power when door is in the closed position.



BRACKET FURNISHED WITH CLOSER

To convert regular arm closer to parallel arm closer

HOLLOW-CORE DOORS (SEX BOLTS-INCLUDED WITH CLOSERS)



- KW-1192** 1-3/4" door
- KW-1194** 1-3/8" door

•Set of 4 sex bolts for metal doors.

©ZIPF LOCK COMPANY

We have a limited supply of these closers at a very special price. Or check Cal-Royal's closers as an alternative to the above closer. If your job requires Corbin Russwin please contact us with your needs.

299_{v1}
(PL-23)

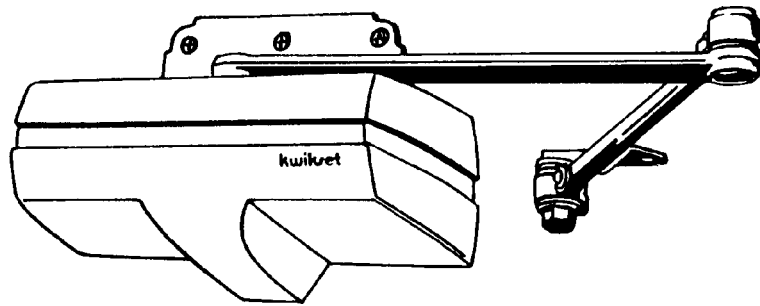
DOOR CLOSERS

AUTOMATIC DOOR CLOSER

Kwikset

Durable, Efficient, Economical
For Residential Use
For Wood or Metal Interior Doors
Maximum door size: 36" x 80"
Maximum door weight: 60lbs

KW-960C Cocoa Color
KW-960E Eggshell Color



OIL SEAL is O-ring low friction unit.

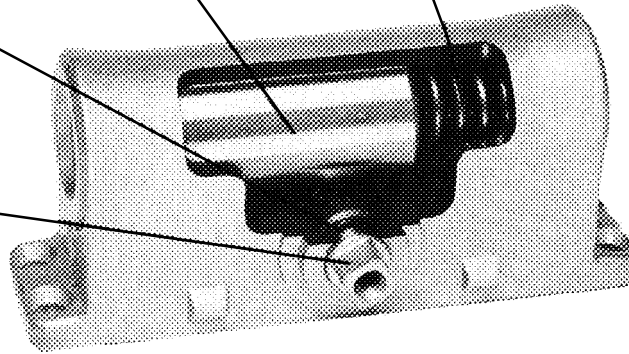
SPINDLE is one piece, precision-machined from alloy steel for increased strength.

RACK AND PINION mechanism is machined of alloy steel to precise standards, assuring smoother operation and longer life.

SPRINGS are crafted from high-tensile, oil-tempered steel, which minimizes possibility of breakage or metal fatigue.

SPEED CONTROL VALVE is positioned for easy access. A slight turn with a standard screwdriver adjusts the unit to desired closing speed.

OVERALL SIZE is 5-3/4" long, 2-5/8" deep, 1-7/8" high.



FEATURES:

- Easy do-it-yourself installation.
- Adaptable to right or left-handed door swing.
- Special mounting brackets.
- Built-in hold-open functions.
- Closing speed control.
- Conserves energy dollars.

Kwikset's new automatic door closer is the ideal helpmate for any interior household door. Specially designed for internal doors, bathroom, bedroom, patio, laundry or garage, wherever automatic closing is desired. Its built-in hold-open function eliminates problems getting parcels, laundry, groceries and other bulky items through doorways. And the adjustable speed valve can speed up or slow

down the door as needed. Kwikset's automatic door closer even helps conserve energy and save dollars by keeping in cool air in summer—warm air in winter.

INSTALLATION EASY, DO-IT-YOURSELF

Its compact size and design allows it to fit neatly on any interior wood or aluminum door. It can be installed in minutes with household tools. Each package contains 2 special mounting plates (brackets). One will conform to the customer's door top jamb configuration. Installation is PARALLEL and is adaptable to RIGHT or LEFT-hand door swing.

SPECIFICATIONS:

Applicable Door: Wood or Aluminum

Maximum Door Size: (Width/Height)
35-7/16" x 82-5/8" (900 x 2100mm)

Size: 5-3/4" long, 2-5/8" deep, 1-7/8" high

Rack and Pinion: One piece alloy steel

Spindle: One piece alloy steel

Springs: High-tensile oil tempered steel

Oil Seal: Low-friction O-ring unit

DOOR CLOSERS

TYLO SERIES DOOR CLOSER

Kwikset

U.L. Listed



The Tylo door closer by Kwikset combines virtually all features found only in expensive door closers and offers them at an economical price. They are available in a variety of sizes to suit different door sizes and use requirements

SPECIFICATIONS

- **Degree of Opening:** Maximum degree of opening for all closers is 180 degrees.
- **Door Weight:** When ordering closers according to door size limitation as shown in chart, the actual maximum size of the door recommended is largely determined by existing draft conditions and by door weight, e.g., if door is a size calling for a 962 closer and subject to strong drafts, a 963 should be used.
- **Case:** High strength pressure cast aluminum.
- **Adjustable Arms:** One length for all applications. Minimum top jamb 1-3/4". Forged steel, malleable iron and wrought parts.
- **Rack and Pinion:** One-piece alloy steel.
- **Spindle:** One-piece high-tensile, heat-treated alloy steel.
- **Springs:** High-tensile, heat-treated steel.
- **Oil-Seal:** Low-friction O-ring unit.
- **Valves:** Needle-type non-critical with O-ring seals.
- **Checking Fluid:** High-lubricity, low-pour-point; same fluid used on all Tylo closers.

Finishes: **US-10** Satin Bronze Enamel
US-28 Satin Aluminum Enamel
US-035 Duranodic

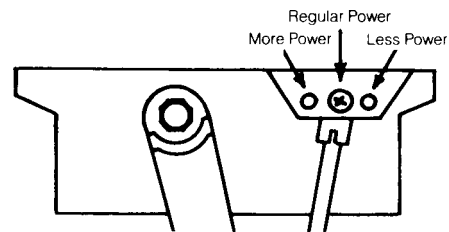
FEATURES

- **Speed Valve** is needle type, assuring precise control of closing speed.
- **Adjustable:** Closing speed is easily regulated to permit adjustment of closer to different conditions and requirements.
- **Invertible:** Tylo door closer may be installed conventionally or mounted inverted.
- **Flexibility:** Not handed and operate with equal efficiency.

Stock No.	Recommended closer size for doors 7' high		
	Maximum size of door		
Regular	Interior	Exterior inswing	Exterior outswing
KW-962	3'0"		
KW-963	3'6"	2'6"	3'0"

Specify Stock Number and Finish

POWER ADJUSTMENT ARM BRACKET



Regularly furnished with all non hold-open closers. May be mounted to supply regular closing power or adjusted to supply a minimum of 15% greater closing power.

PARALLEL ARM ADAPTERS

KW-946 For regular arm US-035, 10, 28
KW-947 For Hold-open arm US-10, 28

HOLLOW-CORE DOORS (SEX BOLTS)

KW-1194 28 1-3/8" door US-28
 •Set of 4 sex bolts for metal doors.
CR-970 1-3/8 1-3/8" door US-26D
CR-970 1-3/4 1-3/4" door US-10, 26D
 •Set of 4 sex bolts for metal doors.

©ZIPF LOCK COMPANY

Kwikset has discontinued these closers. We have limited supplies left and at great discounted prices.

301_{v2}
(PL-23)

DOOR CLOSERS

4040XP SERIES DOOR CLOSER



Stronger, smarter and built for the real world. The LCN 4040XP sets a new standard for reliability, longevity and value with a beefier design and extraordinary performance testing that goes far beyond industry requirements. LCN built the 4040XP from the inside out, combining tougher, bolder construction with proven LCN technology. The result is a closer that's stronger, smarter and delivers remarkable value in a variety of applications. The 4040XP is LCN's most durable heavy duty closer designed for the most demanding, high use and abuse applications. Each 4040XP has a 10-year warranty.

FEATURES & BENEFITS • 44% increased bearing load capacity • Strongest pinion ever- at 3/4" journal diameter • Widest bearing ever- at 5/8" • Stronger pinion teeth • New V-shield™ seal with 20% longer life • XP = eXtra Protection in real world applications • Cast Iron • Forged Steel Arm • Double Heat Treated Steel Pinion • All Weather Fluid • Non-Handed • LCN® Fast™ Power Adjust • Fast & Accurate Installation • UL & cUL Listed • Tested and certified under ANSI Standard A156.4, grade one

SPECIFICATIONS • 4040XP closer shipped with EDA arm, standard plastic cover, and self reaming and tapping screws • Non-sized cylinder is adjustable for interior doors to 5'0" and exterior doors to 4'0" • Closer can mount hinge side, top jamb, or parallel arm (with PA bracket) on either right or left swinging doors • Closers to meet ADA requirements • Standard or optional custom powder coat finish • Optional plated finish on metal cover, arm and fasteners • Optional SRI primer for installations in corrosive conditions is available with powder coat only • UL and cUL listed for self-closing doors without hold-open • 4040XP can be used with all 4040 accessories

Maximum Door Width

Stock#	EXTERIOR	INTERIOR
P4040XP	24" to 48"	24" to 60"

•Specify Arm: **REG** = Regular w/62PA
H = Hold open w/62PA
H-CUSH = Hold open, Cush-N-Stop

Changing over to the 4040XP is a rolling change.

FINISHES:

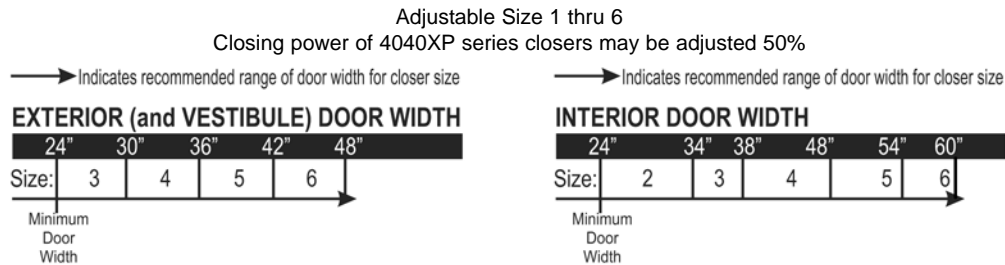
ALUM or DARK BRONZE



REDUCED OPENING FORCE 4040XP CLOSERS— CAUTION! Any manual door closer, including those certified by BHMA to conform to ANSI Standard A156.4, that is selected, installed and adjusted based on ADA or other reduced opening force requirements may not provide sufficient power to reliably close and latch a door.

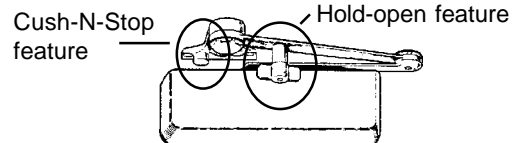
	DOOR WIDTH	36"	42"	48"
	8.5*lbs	4040XP	4040XP	4040XP
5.0*lbs	4040XP	4040XP	4040XP	

*Maximum opening force.



CUSH-N-STOP® ARMS / Closer, stop, holder in one arm.

FEATURES: Eliminates the need for separate stop/holder •Protects against abusive traffic and wind conditions •Hold open optional •10 year warranty •U.L. Listed •ANSI A156.4 Grade 1.



•Dead stop (and hold open) is template located at 85°, 90°, 100° or 110°. •Backcheck cushions opening swing prior to dead stop •With hold open "on" door may be pushed into and out of hold open position.

FINISHES—

STANDARD PAINTED FINISHES

ALUM- Aluminum Lacquer, BHMA No. 689

FINISH TO MATCH ARCHITECTURAL ALUMINUM HARDCOAT

DARK BRONZE- Dark Bronze Hard Coat, BHMA No. 695

©ZIPF LOCK COMPANY

DOOR CLOSERS

1260 SERIES DOOR CLOSER



1260 SERIES / non sized for interior or exterior use.

FEATURES: •Non-sized (1-5) cylinder (set to size 3 at factory) is adjustable for interior doors to 4'6" and exterior doors to 3'6"
 •Non-handed cast iron cylinder •Mounts to most common commercial footprint (3/4" x 9-1/16") •Closer meets ADA requirements
 •Adjustable hydraulic backcheck cushions opening swing prior to 90 degrees • Separate regulation of general closing speed and latching speed •Joints in arm and shoe adapt to uneven trim •UL and cUL listed for self-closing doors without hold-open
 •Tested and certified under ANSI A156.4, grade 1 •10-year warranty.


Stock#	Maximum Door Width	
	EXTERIOR	INTERIOR
1260	24" to 42"	24" to 54"

•Specify Arm: **REG** = Regular
H CUSH = Hold open, Cush-N-Stop



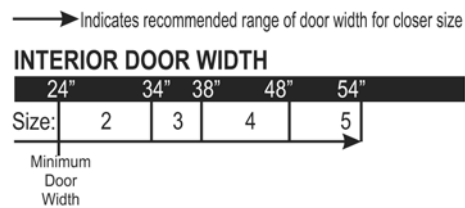
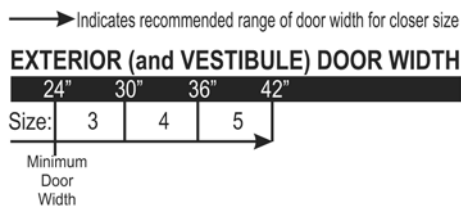
FINISHES:
ALUM or **DARK BRONZE**

REDUCED OPENING FORCE 1260 CLOSERS—CAUTION! Any manual door closer, including those certified by BHMA to conform to ANSI Standard A156.4, that is selected, installed and adjusted based on ADA or other reduced opening force requirements may not provide sufficient power to reliably close and latch a door.

	DOOR WIDTH	36"	42"	48"
		8.5*lbs	1260	1260
	5.0*lbs	1260	1260	1260

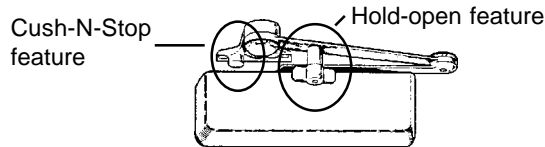
*Maximum opening force.

Adjustable Size 1 thru 5



CUSH-N-STOP® ARMS / Closer, stop, holder in one arm.

FEATURES: Eliminates the need for separate stop/holder •Protects against abusive traffic and wind conditions •Hold open optional •10 year warranty •U.L. Listed •ANSI A156.4 Grade 1.



•Dead stop (and hold open) is template located at 85°, 90°, 100° or 110°. •Backcheck cushions opening swing prior to dead stop •With hold open "on" door may be pushed into and out of hold open position.

FINISHES—

STANDARD PAINTED FINISHES

ALUM- Aluminum Lacquer, BHMA No. 689

FINISH TO MATCH ARCHITECTURAL ALUMINUM HARDCOAT

DARK BRONZE- Dark Bronze Hard Coat, BHMA No. 695

DOOR CLOSERS

1461 SERIES DOOR CLOSER



1461 SUPER STOCK® SERIES / non handed, non sized for interior or exterior use.

FEATURES: •Can be mounted three different ways: 1. Hinge side, 2. Top jamb, 3. Parallel arm •PA shoe included •Non handed, non sized with spring power adjustable from size 1 through 6 (set to size 3) •Adjustable hydraulic backcheck cushions opening swing prior to 90 degrees •Cast iron cylinder •Joints in arm and shoe adapt to uneven trim •TB-Has thru bolts & machine screws •Slim Line plastic cover •UL & cUL listed for self closing doors without hold open •Tested and certified under ANSI A156.4 Grade 1 •10 year warranty

	Maximum Door Width	
Stock#	EXTERIOR	INTERIOR
P1461	24" to 48"	24" to 60"
•Specify Arm:	REG = Regular w/62PA	
	H = Hold open w/62PA	

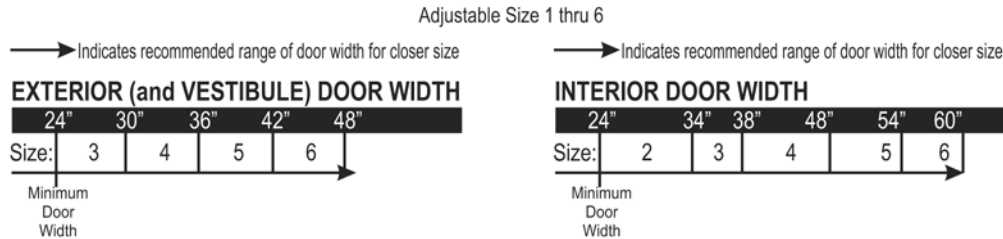
FINISHES: ALUM or DARK BRONZE



REDUCED OPENING FORCE 1460 CLOSERS—CAUTION! Any manual door closer, including those certified by BHMA to conform to ANSI Standard A156.4, that is selected, installed and adjusted based on ADA or other reduced opening force requirements may not provide sufficient power to reliably close and latch a door.

	DOOR WIDTH	36"	42"	48"
	8.5*lbs	1461	1461	1461
	5.0*lbs	1461	1461	1461

*Maximum opening force.



FINISHES—

STANDARD PAINTED FINISHES

ALUM- Aluminum Lacquer, BHMA No. 689

FINISH TO MATCH ARCHITECTURAL ALUMINUM HARDCOAT

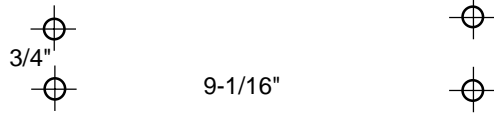
DARK BRONZE- Dark Bronze Hard Coat, BHMA No. 695

If you don't see the LCN closer you need please contact us. We have access to many LCN closers and with quick delivery.

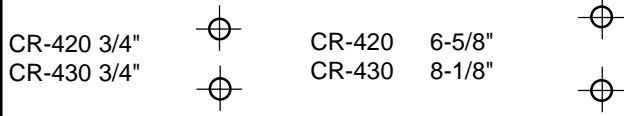
DOOR CLOSERS

DOOR CLOSER MOUNTING HOLE SPACINGS (NOT TO SCALE)

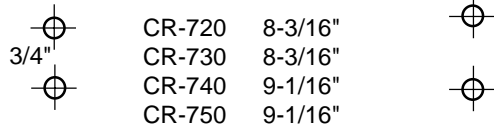
CAL-ROYAL 300 SERIES



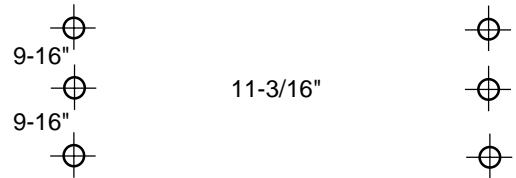
CAL-ROYAL 400 SERIES



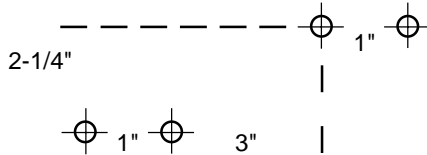
CAL-ROYAL 700 SERIES



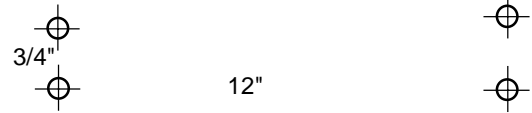
CAL-ROYAL 900 SERIES



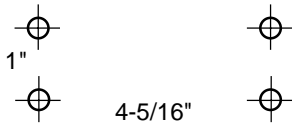
CAL-ROYAL 441 SERIES



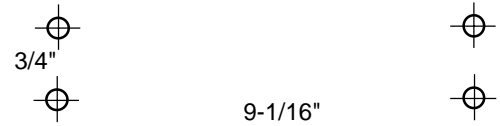
CAL-ROYAL 801 SERIES



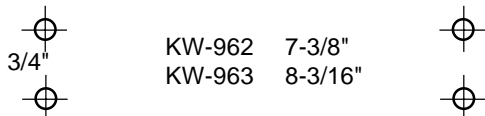
CORBIN/RUSSWIN RE-2210, RE-3210



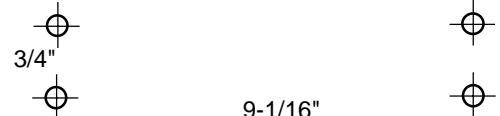
CORBIN/RUSSWIN RE-4612, 13, 14, 15



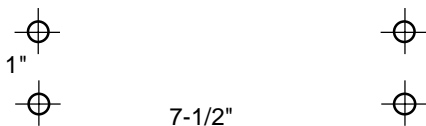
KWIKSET KW-962 & 963



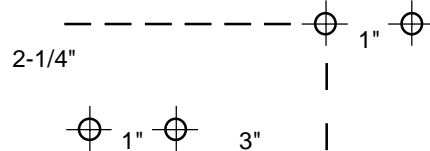
LCN 1260 SERIES



LCN P1461 SERIES



LCN P4041



**If you don't see it in our catalog, please contact us today.
We have many others sources for products.**