

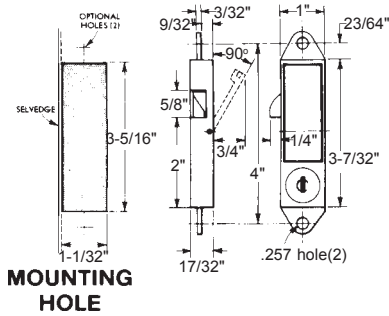
CIRCUIT/VENDING LOCKS



DISC TUMBLER CIRCUIT BREAKER CABINET LOCK



NL-C8070-2C



APPLICATION—For right handed metal doors of electrical circuit breaker cabinets.

OPERATION—Key removable in both locked and unlocked positions. Push plate operates spring bolt. Unlocked, push plate acts as spring latch.

KEYING—Supplied keyed alike only to B135A.

PACKAGING—Supplied with two keys, no mounting hardware.

FINISH—2C-Aluminum Enamel Finish

Stock #
NL-C8070-2C

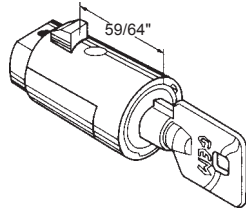
Type of
Mounting
R.H. Doors

Bolt Type
Spring Pivot

Bolt
Travel
7/32"

Key
Blank
D8786

HIGH SECURITY TUBULAR KEY LOCKS GEM 1000 SERIES LOCKS 7 PIN TUMBLER

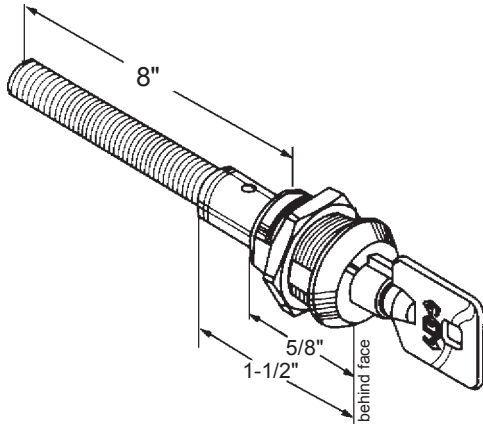


Inner Cylinder - Nickel Finish

Stock No. Description
YPT-1010 Inner cylinder for POP-OUT T handles.
Meets NAMA Standards

Available KD or KA: **SPECIFY KEYING.**

Keyed Alike #: 27381, 27382, 27383, 27384, 27385.



Stock No.	Keying	Key Pulls
TS-1058BD KD	Keyed Different	12 & 6
TS-1058BD KA	Keyed Alike*	12 & 6
TS-1058U KD	Keyed Different	12, 3, 6, & 9
TS-1058U KA	Keyed Alike*	12, 3, 6, & 9

*Specify Keyed Alike#: 27379, 27380.

18 Threads per inch.

**Cannot find what you need?
It simple ...
just give us a call...**

