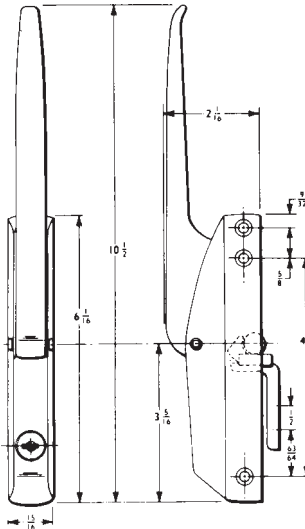
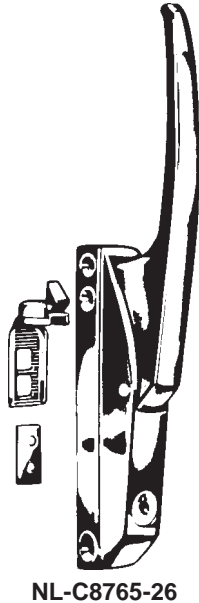


# HANDLE LOCKS

## COOLER LOCKING HANDLE & REPLACEMENT PLUGS



**APPLICATION**—Handle mounts on edge of freezer and cooler doors. Reversible for R.H. or L.H. doors. NL-C8762 and NL-C8763 replacement plugs are for earlier models of NL-C8765 locking handles (National Lock 59-1105 series of handles).

**OPERATION**—Key removable in both locked and unlocked positions. Handle can be used as latch until locked by key.

**KEYING**—Keyed alike to XC-3.

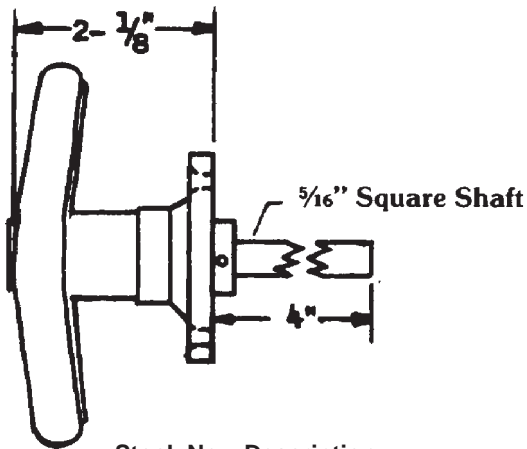
**KEY BLANK**—D8780.

**PACKAGING**—NL-C8765 supplied with two keys, strike mounting plate and strike. Mounting screws not furnished. NL-C8762 and NL-C8763 plugs supplied with two keys and specific retainer. NL-C8764 plug supplied with two keys, retainer/stop and screw.

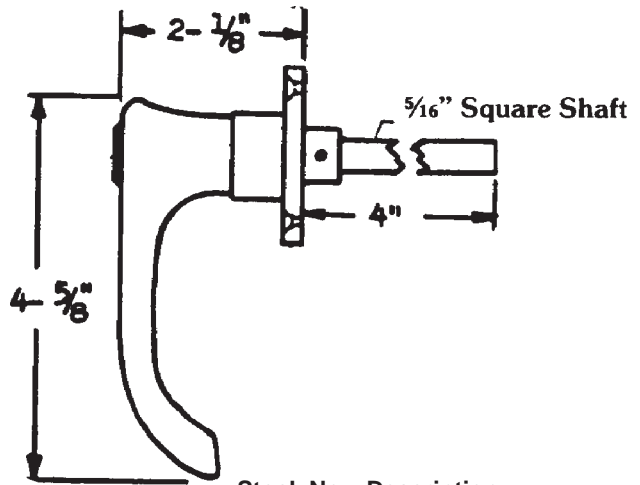
**FINISHES**—26-Bright Chrome.

Stock No.	Installation	Bolt Type
NL-C8765-26 KA	Edge mounted on Freezer/Cooler Door	Integral Roller bolt
NL-C8764-26	Current NL-C8765 Handles	—
NL-C8763-26	N.L. 59-1105 Handles	—
NL-C8762-26	Early models, N.L. 59-1105 Handles	—

## BAUER PRODUCTS



Stock No.	Description
ZH-2000	Rigid 1-1/2" cc
ZH-2100	Rigid 1-3/4" cc



Stock No.	Description
ZH-1000	Rigid 1-1/2" cc
ZH-1100	Rigid 1-3/4" cc

©ZIPF LOCK COMPANY

SUPER SPECIAL PRICING AVAILABLE ON ITEMS MARKED WITH ■ - SUPPLIES LIMITED - PLEASE INQUIRE.

361<sub>v3</sub>  
(PL-32)