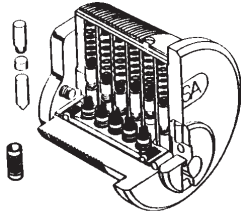
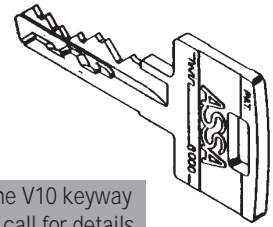


ASSA



ASSA

WHEN KEY CONTROL AND SECURITY ARE A MUST!!!



We have many items in the V10 keyway extremely priced to sell - call for details.

PHYSICAL SECURITY—

PICK RESISTANT. The ASSA Twin resist picking by any commonly known method. Two independent locking mechanisms ensure optimum pick resistance. Inactive “dummy” grooves in the side pins catch the side bar when improperly positioned. When rotational force is applied in a conventional picking attempt, the mushroom-shaped drivers are caught by counter milling in the cylinder plug.

DRILL RESISTANT. Drills are sometimes used to destroy brass cylinders and open locks. Vital points in the ASSA Twin/6000 cylinders are protected by case-hardened, drill resistant inserts. All pins are nickel silver or stainless steel.

KEYS AND KEY CONTROL—

The ASSA Twin/6000 keys are precision-crafted security tools. Two sets of bittings, or key cuts, operate the double locking mechanisms. Detail and quality are evident. Even the back of the keys are rounded for smooth operation and minimal wear. The enlarged key bow accommodates use by manually impaired people, and the unusual strength of the key virtually eliminates breakage.

The ingenious design of the ASSA Twin/6000 deadlocks and cylinders have earned patents in the United States and many other countries. Patents are crucial in the effort to eliminate unauthorized duplicate keys and maintain key control. **Any infringement of the ASSA patent rights will be forcefully defended in the courts.**

THE ALPHA SYSTEM (Twin/6000)

Four key control programs featuring the ASSA Twin/6000

Twin/6000

- DELTA** Zipf Lock Company Distributor's keyway
- GAMMA** Locksmith keyways with local area restriction. Initial order required*
- BETA** Locksmith keyways with extended regional restriction. Initial order required*
- ALPHA** Regional or Nationally exclusive keyways for large end-users.*

*Written agreement and initial order required. Contact us for details.

SECURITY DEADLOCKS WITH TWIN/6000 SERIES

ASSA

FEATURES:

- ASTM F 1577 6.6 Certified, Grade 1
- U.L. 437
- Hardhat™ to prevent physical attack
- Hardened bolt with full 1" throw
- Free spinning guard collars to prevent wrenching
- 1/4" Aircraft strength steel mounting bolts
- High Security solid brass ASSA cylinder
- Patented key control



SPECIFICATIONS

- DOOR THICKNESS:** 1-3/8" to 2"
- BACKSET:** 2-3/4"
- BOLT THROW:** 1"
- BORE:** 1-3/4"
(Will work in 2-1/8" bore)
- FINISHES:**
 - 605** Bright Brass
 - 626** Satin Chrome

Twin/6000

- | <u>Keyway</u> | <u>Function</u> |
|---------------|-----------------|
| 6000 | Single Cylinder |
| 6000DC | Double Cylinder |
- All sub-assembled, no sidebar(SNS)

•Also available in more restricted keyways. Call for details.

©ZIPF LOCK COMPANY

SUPER SPECIAL PRICING AVAILABLE ON ITEMS MARKED WITH ■ - SUPPLIES LIMITED - PLEASE INQUIRE.

109_{v2}
(PL-3)

ASSA

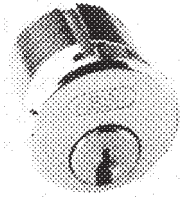
ASSA

"DELTA KEYWAY"

We have many items in the V10 keyway extremely priced to sell - call for details.

FINISHES: **605** Bright Brass
606 Satin Brass
624 Dark Oxidized
625 Bright Chrome
626 Satin Chrome

TWIN/6000 SERIES CYLINDERS

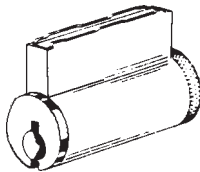


MORTISE CYLINDER

Twin
6000

ITEM	CAM	LENGTH	FINISH
6551-1	Adams Rite, Narrow	1-1/8"	605, 624, 625, 626
6552-5	Standard Yale	1-1/4"	624, 625

• All sub-assembled, no sidebar(SNS)



KEY-IN-KNOB CYLINDER

Twin
6000

ITEM	MAKE	FOR USE WITH TYPE:	FINISH
65611	Schlage	Standard & Heavy Duty 6 pin	606, 624, 626
65631	Yale	Standard & Heavy Duty 6 pin	606
65652	Ruswin/Corbin	Standard Duty New Style	626
65672	Sargent	Heavy Duty 7, 8 & 9 Lines	626
65673	Sargent	Standard Duty 6 Line	606, 626
65691	Arrow	Standard & Heavy Duty 6 pin	606, 626

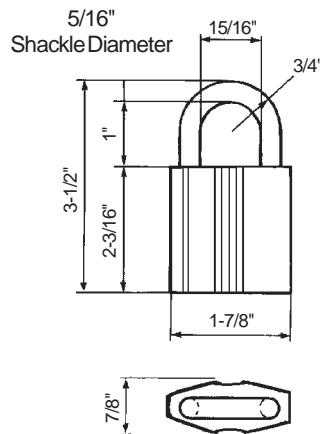
For more information on ASSA, See previous page.
Available in more restricted keyways. Call for details.

TWIN/6000 SERIES PADLOCKS

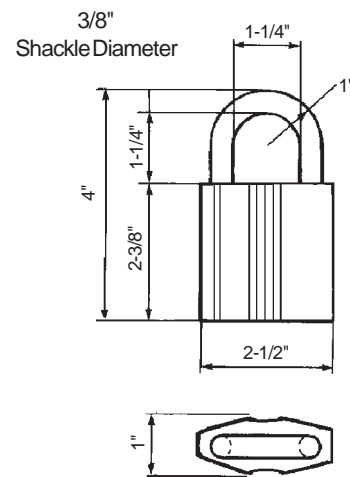
- Can be incorporated into any ASSA key system.
- All sub-assembled, no sidebar(SNS)
- For more information on ASSA, see previous page.
- Available in more restricted keyways, CALL FOR DETAILS.

KEY RETAINING PADLOCK

Rust-resistant case-hardened steel shackle. The locking mechanism has two case-hardened steel balls. No external rivets or screws. With weep holes for positive water drainage and protection from ice buildup.



Twin 6000 Item No.
65191B (No. 2)
65191LB 2-1/16" Extended Shackle



Twin 6000 Item No.
65391B (No. 3)

ASSA

TWIN/6000 SERIES

ASSA

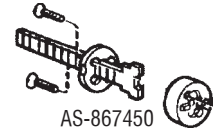
Pins and Springs

- AS-867065** Cylinder spring
- AS-867066** Top pin 1-2
- AS-867067** Top pin 3-4
- AS-867068** Top pin 5-6
- AS-867069** Top pin 7-8-9
- AS-867070** Master Pin 1
- AS-867071** Master Pin 2
- AS-867072** Master Pin 3
- AS-867073** Master Pin 4
- AS-867074** Master Pin 5
- AS-867075** Master Pin 6
- AS-867076** Master Pin 7
- AS-867077** Master Pin 8
- AS-867078** Bottom pin 1
- AS-867079** Bottom pin 2
- AS-867080** Bottom pin 3
- AS-867081** Bottom pin 4
- AS-867082** Bottom pin 5
- AS-867083** Bottom pin 6
- AS-867084** Bottom pin 7
- AS-867085** Bottom pin 8
- AS-867086** Bottom pin 9
- AS-867015** Side pin (Twin)
- AS-353837** Right Hand Side Pin (V-10)
- AS-353838** Left Hand Side Pin (V-10)
- AS-867087** Side pin spring (Twin)
- AS-867088** Side bar spring (Twin)
- AS-868141** Pin chamber closing strip-
for Mort, Rim, KIK



Cams & Tailpieces

- AS-867445** #1 Adams Rite Cam
- AS-867447** #4 Corbin Bever Tail Cam
- AS-867452** #2 Sargent Cam
- AS-867453** #6 Schlage "L" Cam
- AS-867450** Horizontal & Vertical Rim Tailpiece Kit
- AS-872610** #5 Yale/Standard Cam



Screws

- \$AS-867090** Phillips Screw For Cam (being discontinued)
- AS-868138** Slotted Screw For Rim Tailpiece
- AS-900209** Kit, includes plate and 2 screws

Keying Kit (Special Order)

- AS-PK4** Pin kit No. 4 Mini Pin kit for Twin

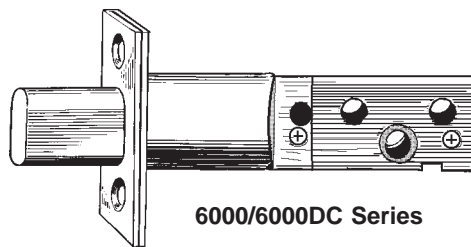
Tools (Special Order)

- AS-869018** Twin cutter wheel for HPC 1200CM 90%/32"
- AS-969020** Twin code card for HPC 1200CM

Deadbolt Parts (Discontinued-Call for closeout prices)

- \$AS-806268*** Spacer ring for 1-3/8" thick door
- \$AS-806269*** Adaptor ring for 2-/8" dia. hole
- *Specify Finish: 605, 609, 624, 626

TWIN/6000 SERIES



6000/6000DC Series

ASSA	2-3/8" Square Face	2-3/4" Square Face	
6000/6000DC Series	ZL-434 (907003)	ZL-435 (907001)	

©ZIPF LOCK COMPANY

SUPER SPECIAL PRICING AVAILABLE ON ITEMS MARKED WITH ■ - SUPPLIES LIMITED - PLEASE INQUIRE.

111 v2
(PL-3)