

PADLOCKS

INDUSTRIAL HIGH SECURITY

— SOLID STEEL PADLOCKS —



SERIES 2000 HASP LOCK

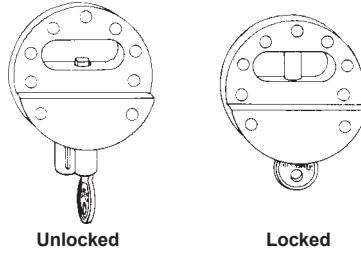
Die-Cast Steel Body - 6 Pin Tumbler

Shackle can't be cut... because it doesn't have one!!!

It fits over and completely covers area where it locks onto hasp. (Recommended for AJ-825 and AJ-535 hasp.) Satin chrome finish. High security 6 pin tumbler design with mushroom pins virtually impossible to pick. 2 brass keys. **Body Width: 2-7/8"**; **Body Thickness: 1-1/2"**; **Locking Bolt: 13/32"**.

Stock No.	Keying
AJ-2000 KD	Keyed Different
AJ-2000 KA	Keyed Alike*

*Specify Keyed Alike Number:
AJ-2000 KA: 80075.



Unlocked

Locked



Key locking from bottom

SERIES 2010 HASP LOCK

Solid Steel Body - 6 Pin Tumbler

Same specifications as AJ-2000 except has solid steel body.

Stock No.	Keying
AJ-2010 KD	Keyed Different

SERIES 2500 HASP LOCK

Solid Steel Body - 6 Pin Tumbler

Stock No.	Keying
AJ-2500 KD	Keyed Different



Same specifications as AJ-2000 above except key locking from front

SERIES 700

5 Pin Tumblers

AJ-700 & AJ-701 have satin chrome finish and **AJ-702 & AJ-703** have cadmium finish. Padlocks have removable brass cylinder for fast servicing and hardened steel cover plate for additional cylinder protection. 2 brass keys. **Body Width: 2-1/2"**; **Body Thickness: 1-1/8"**; **Hardened alloy steel shackle 7/16" diameter, chrome plated.**

•1-1/16" Vertical Clearance

Stock No.	Keying
AJ-700 KD	Keyed Different
AJ-700 KA	Keyed Alike
AJ-702 KD	Keyed Different
AJ-702 KA	Keyed Alike*

*Specify Keyed Alike Number:
AJ-701 KA: 32237.
AJ-702 KA: 35475, 78378.
AJ-703 KA: 78378.

•2" Vertical Clearance

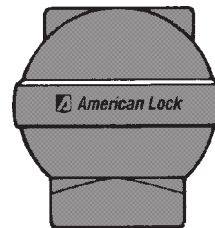
Stock No.	Keying
AJ-701 KD	Keyed Different
AJ-701 KA	Keyed Alike*
AJ-703 KD	Keyed Different
AJ-703 KA	Keyed Alike*



2-1/2" wide body



2" wide body



AJ-700W
Shell® Kraton® Cover for Series 700 padlocks.

SERIES H10

10 Blade tumblers

Brass cylinder, locking cam and tumblers. 2 brass keys. **Body Width: 2"**; **Body Thickness: 1"**; **Hardened alloy steel shackle 7/16" diameter.**

•1-1/16" Vertical Clearance

Stock No.	Keying
AJ-H10 KD	Keyed Different
AJ-H10 KA	Keyed Alike*

•2" Vertical Clearance

Stock No.	Keying
AJ-H11 KD	Keyed Different
AJ-H11 KA	Keyed Alike*

*Specify Keyed Alike Number:
AJ-H10 KA: D188, D599.
AJ-H11 KA: D599.

PADLOCKS

INDUSTRIAL HIGH SECURITY



— SOLID STEEL PADLOCKS —

SERIES 5100 5 Pin tumblers



1-1/2" wide body

Hardened steel body, triple satin chrome finish. Removable brass cylinder for fast servicing and hardened steel cover plate for additional cylinder protection. **Body Width: 1-1/2"; Body Thickness: 3/4"; Hardened steel shackle 1/4" diameter, chrome plated.** 2 brass keys.

•1" Vertical Clearance

Stock No.	Keying
AJ-5100 KD	Keyed Different
AJ-5100 KA	Keyed Alike*

•1-1/2" Vertical Clearance

Stock No.	Keying
AJ-5101 KD	Keyed Different
AJ-5101 KA	Keyed Alike*

•3" Vertical Clearance

Stock No.	Keying
AJ-5102 KD	Keyed Different
AJ-5102 KA	Keyed Alike*

***Specify Keyed Alike Number:**

AJ-5100 KA: 43533, 44725.
AJ-5101 KA: 63755.
AJ-5102 KA: 53483.

SERIES 5200 5 Pin tumblers



1-3/4" wide body

Hardened steel body, triple satin chrome finish. Removable brass cylinder for fast servicing and hardened steel cover plate for additional cylinder protection. **Body Width: 1-3/4"; Body Thickness: 3/4"; Hardened steel shackle 5/16" diameter, chrome plated.** 2 brass keys.

•1-1/8" Vertical Clearance

Stock No.	Keying
AJ-5200 KD	Keyed Different
AJ-5200 KA	Keyed Alike*

•1-1/8" Vertical Clearance

Stock No.	Keying
AJ-5200 KD	Keyed Different
AJ-5200 KA	Keyed Alike*

•3" Vertical Clearance

Stock No.	Keying
AJ-5202 KD	Keyed Different
AJ-5202 KA	Keyed Alike*

***Specify Keyed Alike Number:**

AJ-5200 KA: Please call.
AJ-5201 KA: Please call.
AJ-5202 KA: 22583, 25264, 63387.

SERIES 5260 5 Pin tumblers



2" wide body

Hardened steel body, triple satin chrome finish. Removable brass cylinder for fast servicing and hardened steel cover plate for additional cylinder protection. **Body Width: 2"; Body Thickness: 3/4"; Hardened steel shackle 3/8" diameter, chrome plated.** 2 brass keys.

•1-1/8" Vertical Clearance

Stock No.	Keying
AJ-5260 KD	Keyed Different
AJ-5260 KA	Keyed Alike*

•2" Vertical Clearance

Stock No.	Keying
AJ-5261 KD	Keyed Different
AJ-5261 KA	Keyed Alike*

•3" Vertical Clearance

Stock No.	Keying
AJ-5262 KD	Keyed Different
AJ-5262 KA	Keyed Alike*

***Specify Keyed Alike Number:**

AJ-5260 KA: Please call.
AJ-5261 KA: Please call.
AJ-5262 KA: 35486, 44526, 42862.

If you don't see it here please contact us today. We have quick access to every padlock American makes, and in most cases have it shipped directly to you.

SERIES 5200DL - Key Retaining

5 Pin tumblers

Hardened steel body, triple satin chrome finish. Removable brass cylinder for fast servicing and hardened steel cover plate for additional cylinder protection. **Body Width: 1-3/4"; Body Thickness: 3/4"; Hardened steel shackle 5/16" diameter, chrome plated.** 2 brass keys(0-Bitted).

•1-1/8" Vertical Clearance

Stock No.	Keying
AJ-5200DL	O-Bitted, Key Retaining



1-3/4" wide body

©ZIPF LOCK COMPANY

PADLOCKS

INDUSTRIAL HIGH SECURITY

— SOLID STEEL PADLOCKS —

AMERICAN

SERIES 5300

5 Pin Tumbler

Shrouded shackle prevents shackle cutting. Double steel ball locking mechanism. Rekeyable and interchangeable cylinders. Hardened solid steel coverplate. **1-1/8" shackle clearance. AJ-5300 Body Width: 1-3/4"; Body Thickness: 3/4"; Shackle Diameter: 5/16". AJ-5360 Body Width: 2"; Body Thickness: 3/4"; Shackle Diameter: 3/8".**

•1-3/4 Wide Body

Stock No.	Keying
AJ-5300 KD	Keyed Different
AJ-5300 KA	Keyed Alike*

•2 Wide Body

Stock No.	Keying
AJ-5360 KD	Keyed Different
AJ-5360 KA	Keyed Alike*

**Specify Keyed Alike Number:*

AJ-5300 KA: 76824, 78378.

AJ-5360 KA: 24685, 78378.



**1-3/4" wide body
or
2" wide body**

SERIES 7200

7 Pin Tubular Cylinder Padlocks



1-3/4" wide body

Boron Alloy steel shackle. 7 pin tubular cylinder. 2 keys. **Body Width: 1-3/4"; Body Thickness: 7/8"; Shackle Diameter: 5/16".**

•1-1/8" Vertical Clearance

Stock No.	Keying
AJ-7200 KD	Keyed Different
AJ-7200 KA	Keyed Alike*

•2" Vertical Clearance

Stock No.	Keying
AJ-7201 KD	Keyed Different
AJ-7201 KA	Keyed Alike*

•3" Vertical Clearance

Stock No.	Keying
AJ-7202 KD	Keyed Different
AJ-7202 KA	Keyed Alike*

**Specify Keyed Alike Number:*

AJ-7200: Please call.

AJ-7201: 15196.

AJ-7202: 15198.

SERIES 7260

7 Pin Tubular Cylinder Padlocks



2" wide body

Boron Alloy steel shackle. 7 pin tubular cylinder. 2 keys. **Body Width: 2"; Body Thickness: 7/8"; Shackle Diameter: 3/8".**

•1-1/8" Vertical Clearance

Stock No.	Keying
AJ-7260 KD	Keyed Different
AJ-7260 KA	Keyed Alike*

•2" Vertical Clearance

Stock No.	Keying
AJ-7261 KD	Keyed Different
AJ-7261 KA	Keyed Alike*

•3" Vertical Clearance

Stock No.	Keying
AJ-7262 KD	Keyed Different
AJ-7262 KA	Keyed Alike*

**Specify Keyed Alike Number:*

AJ-7260: 15105.

AJ-7261: Please call.

AJ-7262: 15204.

SERIES 7300

7 Pin Tubular Cylinder Padlocks



2-1/4" wide body

Boron Alloy steel shackle. 7 pin tubular cylinder. 2 keys. **Body Width: 2-1/4"; Body Thickness: 7/8"; Shackle Diameter: 7/16".**

•1-1/8" Vertical Clearance

Stock No.	Keying
AJ-7300 KD	Keyed Different
AJ-7300 KA	Keyed Alike*

•2" Vertical Clearance

Stock No.	Keying
AJ-7301 KD	Keyed Different
AJ-7301 KA	Keyed Alike*

**Specify Keyed Alike Number:*

AJ-7300: 00145, 00147, 00524, 00605, 00686, 00691.

AJ-7301: 00142, 00686, 00688,

If you don't see it here please contact us today. We have quick access to every padlock American makes.

©ZIPF LOCK COMPANY

SUPER SPECIAL PRICING AVAILABLE ON ITEMS MARKED WITH ■ - SUPPLIES LIMITED - PLEASE INQUIRE.

461 v1

(PL-44)

PADLOCKS

**INDUSTRIAL GENERAL INDOOR-
OUTDOOR SECURITY**

AMERICAN



— ALUMINUM PADLOCKS —
For Safety Lock-out Color Coded Security

SERIES 1105

Light-Heavyweight Corrosion Resistant Aluminum Bodies.

Aluminum body. Boron Alloy steel shackle. 2 keys. **Body Width: 1-1/2"**; **Body Thickness: 3/4"**; **Shackle Diameter: 1/4"**.

•1" Vertical Clearance

Stock No.	Keying
AJ-1105 KD	Keyed Different
AJ-1105 KA	Keyed Alike*

•1-1/2" Vertical Clearance

Stock No.	Keying
AJ-1106 KD	Keyed Different
AJ-1106 KA	Keyed Alike*

•3" Vertical Clearance

Stock No.	Keying
AJ-1107 KD	Keyed Different
AJ-1107 KA	Keyed Alike*

SERIES 1205

Light-Heavyweight Corrosion Resistant Aluminum Bodies.

Aluminum body. Boron Alloy steel shackle. 2 keys. **Body Width: 1-3/4"**; **Body Thickness: 3/4"**; **Shackle Diameter: 5/16"**.

•1-1/8" Vertical Clearance

Stock No.	Keying
AJ-1205 KD	Keyed Different
AJ-1205 KA	Keyed Alike*

•2" Vertical Clearance

Stock No.	Keying
AJ-1206 KD	Keyed Different
AJ-1206 KA	Keyed Alike*

•3" Vertical Clearance

Stock No.	Keying
AJ-1207 KD	Keyed Different
AJ-1207 KA	Keyed Alike*

SERIES 1305

Light-Heavyweight Corrosion Resistant Aluminum Bodies.

Aluminum body. Boron Alloy steel shackle. 2 keys. **Body Width: 2"**; **Body Thickness: 3/4"**; **Shackle Diameter: 3/8"**.

•1-1/8" Vertical Clearance

Stock No.	Keying
AJ-1305 KD	Keyed Different
AJ-1305 KA	Keyed Alike*

•2" Vertical Clearance

Stock No.	Keying
AJ-1306 KD	Keyed Different
AJ-1306 KA	Keyed Alike*

•3" Vertical Clearance

Stock No.	Keying
AJ-1307 KD	Keyed Different
AJ-1307 KA	Keyed Alike*

SPECIFY COLOR WHEN ORDERING:

**B=Blue, D=Brown, E=Green, G=Gold,
K=Black, N=Orange, R=Red, U=Purple.**
Example: AJ-1105B is AJ-1105 in blue.

Note-Not all colors may be available in all padlocks

***Specify Keyed Alike Number:**

AJ-1105B KA: 22386, 22778, 27233.
AJ-1105D KA: 22778.
AJ-1105E KA: 22778.
AJ-1105G KA: 22372.
AJ-1105N KA: 22778.
AJ-1105R KA: 22447, 43533.
AJ-1106B KA: 22778, 27833, 35467, 43533.
AJ-1106D KA: 23278, 43533.
AJ-1106G KA: 22773.
AJ-1106N KA: 22778.
AJ-1106U KA: 22778.
AJ-1107B KA: 22668.
AJ-1107D KA: 22732.
AJ-1107E KA: 22778.
AJ-1107G KA: 22627.
AJ-1107N KA: 22778.

AJ-1205B KA: 22337.
AJ-1205D KA: 22487, 22527, 22657, 36458.
AJ-1205E KA: 22778, 43533.
AJ-1205G KA: 22778, 32457, 35467, 43533.
AJ-1205K KA: 22778, 35688.
AJ-1205N KA: 22778.
AJ-1205U KA: 22778.
AJ-1206B KA: 22763.
AJ-1305B KA: 22778, 32238, 43533.
AJ-1305D KA: 02239.
AJ-1305E KA: 43533.
AJ-1305K KA: 43533
AJ-1305R KA: 22778, 27358.
AJ-1306G KA: 22755.
AJ-1306R KA: 22778.
AJ-1307R KA: 22577.

If you don't see it here please contact us today. We have quick access to every padlock American makes, and in most cases have it shipped directly to you.

©ZIPP LOCK COMPANY

462 v2 SUPER SPECIAL PRICING AVAILABLE ON ITEMS MARKED WITH ■ - SUPPLIES LIMITED - PLEASE INQUIRE.
(PL-44)

PADLOCKS

INTERCHANGEABLE CORE

SERIES 3000

(Less Core)

Accepts cylinders from Best Lock™, Arrow, Falcon®, Eagle, Lockwood, and other Best-type cylinders.

Best, Falcon and Lockwood are trademarks of the respective companies.



AMERICAN



Core Not Included
Just let us know if you need a core.

STOCK NO.	LOCKBODY					SHACKLE		
	MATERIAL	PLATING	WIDTH	THICK.	LENGTH	MATERIAL	DIA.	CLEAR.
AJ-3200	Hardened Steel	Satin Chrome	1-3/4"	3/4"	2-1/8"	Boron Alloy Steel	5/16"	1-1/8"
AJ-3560	Solid Brass	—	1-3/4"	3/4"	2-1/8"	Boron Alloy Steel	5/16"	1-1/8"
AJ-3562	Solid Brass	—	1-3/4"	3/4"	2-1/8"	Boron Alloy Steel	5/16"	3"
AJ-3570	Solid Brass	—	2"	3/4"	2-1/8"	Boron Alloy Steel	3/8"	1-1/8"
AJ-3571	Solid Brass	—	2"	3/4"	2-1/8"	Boron Alloy Steel	3/8"	2"

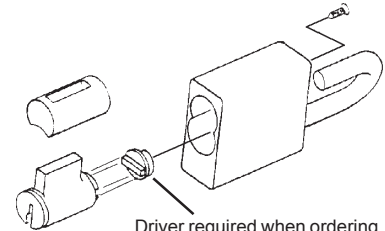
KEY-IN-KNOB CYLINDER

SERIES 3600 & 3700

Less Cylinder

Features/Benefits:

- Accepts Medeco, Schlage and Ilco(Lori) cylinders
- Phillips screwdriver only tool needed to complete cylinder change
- Solid one piece extruded brass body
- Available in 1-3/4" and 2" body widths with chrome plated Boron Alloy steel shackle
- Double steel ball locking mechanism that makes shimming virtually impossible



Driver required when ordering padlock less cylinder.

Multi-Cylinder Series 3600 and 3700 accepts:

MEDECO —#20-0101 6-pin cylinder for Schlage "A" Series Knob Set (Seven levels of key control)

SCHLAGE — "A" Series (Key-in-Knob) Cylinder

ILCO(LORI) — #1539 6-pin cylinder for Schlage Key-in-Knob Keyways

- Arrow K2 • Corbin 60 • Dexter 67(Composite) • Ilco X1054K • Kwikset(Composite) • Lockwood 1004 • Lori 80 • Lori L100/Harloc 700/ Eagle 11929 • Russwin 981/852 • Russwin D1 • Sargent Composite LA-LC • Schlage C • Schlage E • Schlage P(C-L) • Segal (Composite) • Weiser(Composite) • Yale 8 •

*STOCK NO.	BODY WIDTH	SHACKLE DIAM.	CLEAR.
AJ-3600	1-3/4"	5/16"	1-1/8"
AJ-3601	1-3/4"	5/16"	2"
AJ-3602	1-3/4"	5/16"	3"
AJ-3700	2"	3/8"	1-1/8"
AJ-3701	2"	3/8"	2"
AJ-3702	2"	3/8"	3"

*Less cylinder. Suffix "S" for Schlage Keyway

DRIVERS(must order separately)

AJ-DRLOR39 For Ilco(Lori) Cylinder

AJ-DRMED39 For Medeco Cylinder

AJ-DRSCH-6 For Schlage

6 drivers per pack — sold by the pack

Need a cylinder?? Just call us with the keyway you need and we will take care of it.



We have quick access to every padlock American makes. If you don't see it here please contact us today.

PADLOCKS

INDUSTRIAL OUTSIDE SECURITY



— SOLID BRASS PADLOCKS —

SERIES 5530

5 Pin tumblers



1-1/2" wide body

1-1/2" wide brass body. Has removable brass cylinder for fast servicing and hardened steel cover plate for additional cylinder protection. Double steel ball locking. Ideal for outdoor and marine applications. 2 brass keys. **Body Width: 1-1/2"; Body Thickness: 3/4"** Case hardened steel shackle 1/4" diameter, chrome plated.

•1" Vertical Clearance

Stock No.	Keying
AJ-5530 KD	Keyed Different
AJ-5530 KA	Keyed Alike*

•1-1/2" Vertical Clearance

Stock No.	Keying
AJ-5531 KD	Keyed Different
AJ-5531 KA	Keyed Alike*

•3" Vertical Clearance

Stock No.	Keying
AJ-5532 KD	Keyed Different
AJ-5532 KA	Keyed Alike*

***Specify Keyed Alike Number:**

AJ-5530: Please call.
 AJ-5531: 35274, 42232.
 AJ-5532: Please call.

SERIES 5560

5 Pin tumblers



1-3/4" wide body

1-3/4" wide brass body. Has removable brass cylinder for fast servicing and hardened steel cover plate for additional cylinder protection. Double steel ball locking. Ideal for outdoor and marine applications. 2 brass keys. **Body Width: 1-3/4"; Body Thickness: 3/4"** Case hardened steel shackle 5/16" diameter, chrome plated.

•1-1/8" Vertical Clearance

Stock No.	Keying
AJ-5560 KD	Keyed Different
AJ-5560 KA	Keyed Alike*

•2" Vertical Clearance

Stock No.	Keying
AJ-5561 KD	Keyed Different
AJ-5561 KA	Keyed Alike*

•3" Vertical Clearance

Stock No.	Keying
AJ-5562 KD	Keyed Different
AJ-5562 KA	Keyed Alike*

***Specify Keyed Alike Number:**

AJ-5560 KA: Please call.
 AJ-5561 KA: 35638, 33472.
 AJ-5562 KA: 77635.

SERIES 5570

5 Pin tumblers



2" wide body

2" wide brass body. Has removable brass cylinder for fast servicing and hardened steel cover plate for additional cylinder protection. Double steel ball locking. Ideal for outdoor and marine applications. 2 brass keys. **Body Width: 2"; Body Thickness: 3/4"** Case hardened steel shackle 3/8" diameter, chrome plated.

•1-1/8" Vertical Clearance

Stock No.	Keying
AJ-5570 KD	Keyed Different
AJ-5570 KA	Keyed Alike*

•2" Vertical Clearance

Stock No.	Keying
AJ-5571 KD	Keyed Different
AJ-5571 KA	Keyed Alike*

•3" Vertical Clearance

Stock No.	Keying
AJ-5572 KD	Keyed Different
AJ-5572 KA	Keyed Alike*

***Specify Keyed Alike Number:**

AJ-5570 KA: Please call.
 AJ-5571 KA: 35574, 78627.
 AJ-5572 KA: 35337, 42564, 63467.

If you don't see it here please contact us today. We have quick access to every padlock American makes, AND in most cases have it shipped directly to you.

PADLOCKS

AMERICAN

Steel Hasps

The Steel-On-Steel Complement to Better Security



AJ-825



AJ-535



AJ-850



AJ-875



AJ-885

All Hardened Super-Security

Stock No.	Description	Length	Width
AJ-825	Straight bar, 7/16"	7-1/4"	1-5/8"
AJ-850	90° Angle bar, 7/16"	4-1/4"	1-5/8"
AJ-535	Off-center hole	5"	2"

Multi-Purpose Top Security Flex-O-Hasp
Heavy Wrought Steel

Stock No.	Description	Length	Width
AJ-875	Single Hinge	6-1/4"	1-3/4"
AJ-885	Double Hinge	7-3/4"	1-3/4"

Service Kits

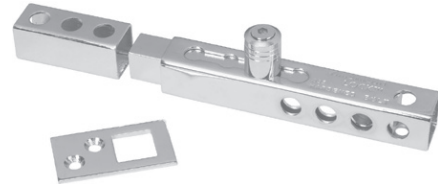
AJ-SK8

For servicing American Rekeyable Pin Tumbler locks.

AJ-TCR-3

For servicing American new Tubular Cam locks and padlocks.

Locking Bolt



No.

AJ-895

Description

3/4" solid hardened steel throw, fully adjustable from 3/4" to 2-3/8". Chrome plated.

Each Locking Bolt comes with instructions, mounting screws and hex wrench for installation.

AJ-801

This patent-pending steel hasp can be mounted directly to American A2500, A2010, A2001 hidden shackle padlocks found on page 459.

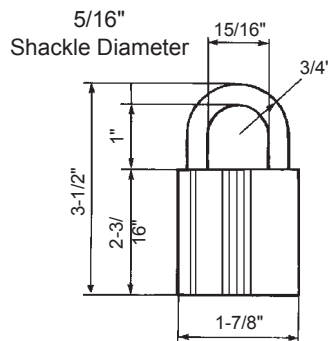


TWIN/6000 SERIES TWIN EXCLUSIVE SERIES PADLOCKS

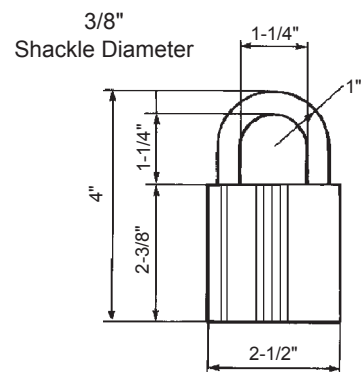
- Can be incorporated into any ASSA key system.
- All sub-assembled, no sidebar(SNS)
- For more information on ASSA, see previous page.
- Available in more restricted keyways, CALL FOR DETAILS.

KEY RETAINING PADLOCK

Rust-resistant case-hardened steel shackle. The locking mechanism has two case-hardened steel balls. No external rivets or screws. With weep holes for positive water drainage and protection from ice buildup.



Twin 6000 Item No.
65191B (No. 2)
65191LB 2-1/16" Extended Shackle



Twin 6000 Item No.
65391B (No. 3)

©ZIPF LOCK COMPANY